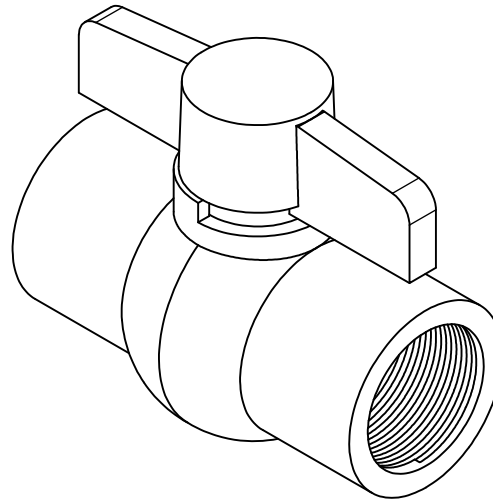
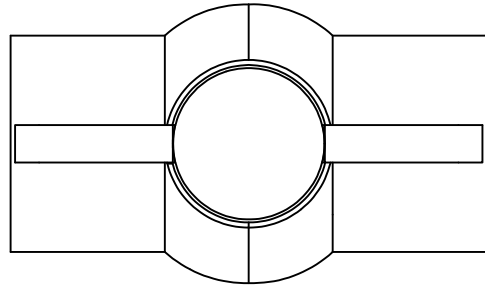
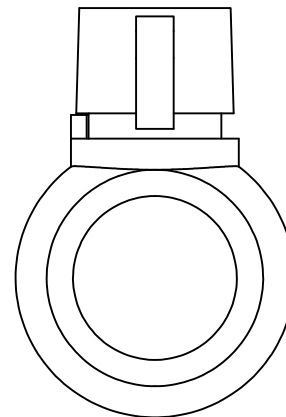
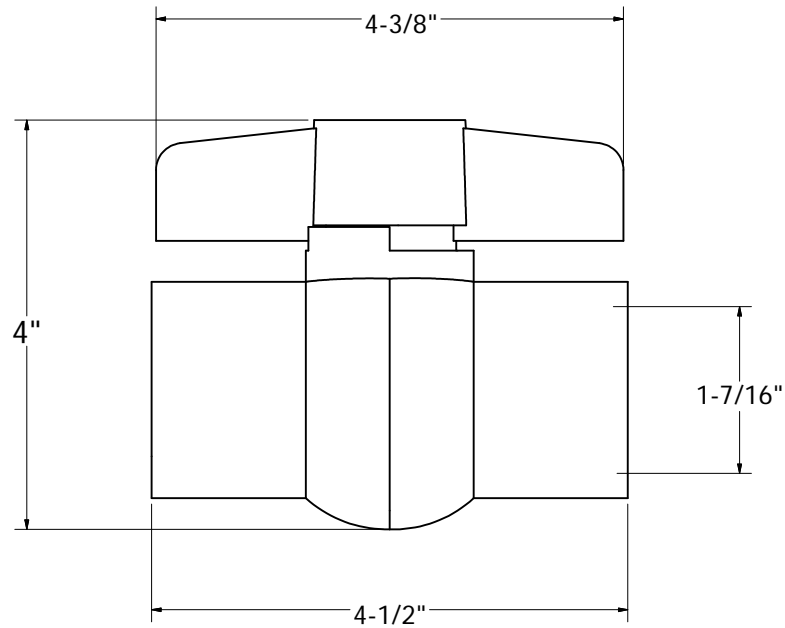


PVC BALL VALVES THREADED ENDS



- ONE PIECE BODY CONSTRUCTION
- STANDARD PORT
- EPDM SEATS AND O - RINGS
- WORKING PRESSURE 150 PSI AT 73° F
- QUARTER TURN OPERATION
- NOT FOR COMPRESSED AIR
- IDEAL FOR SWIMMING POOLS, IRRIGATION AND WATER SUPPLY USES
- SOLVENT ENDS COMPLY WITH ASTM D 2466
- THREADED ENDS COMPLY WITH ANSI B2.1
- LARGE FLOW OPENING



PHONE NUMBER
1-800-355-6637
FAX NUMBER
1-800-462-6991
SCALE
1.125 : 1
DATE
5-31-2013
SHEET
1 OF 1
DRAWN BY
ASHLEY KRALOVEC

PART NO.

B91125

SIZE

1-1/4" IPS

CTN/MSTR

1/60