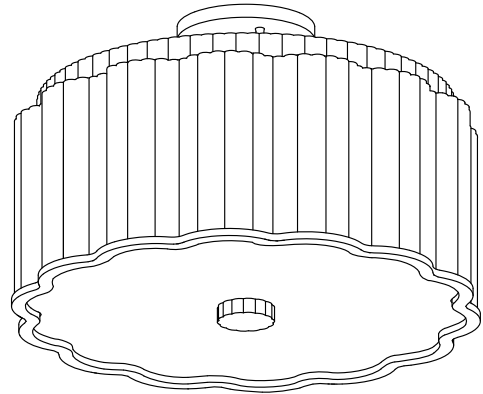


## Features

- Scalloped metal details are juxtaposed against a delicate matte ribbed glass shade for dramatic elegance
- A great piece for any space — especially in a hallway, mudroom, bedroom, closet, or bathroom
- Requires three medium base (E26) light bulbs (sold separately); works best with A19 bulbs
- Suitable for damp locations, per UL 1598
- Includes installation hardware

## Material

- Manufactured with quality materials and complemented with a meticulous finishing process
- Durable finishes engineered to last and designed to coordinate with KOHLER faucet finishes



## Codes/Standards

UL 1598  
CSA C22.2 No. 250.0

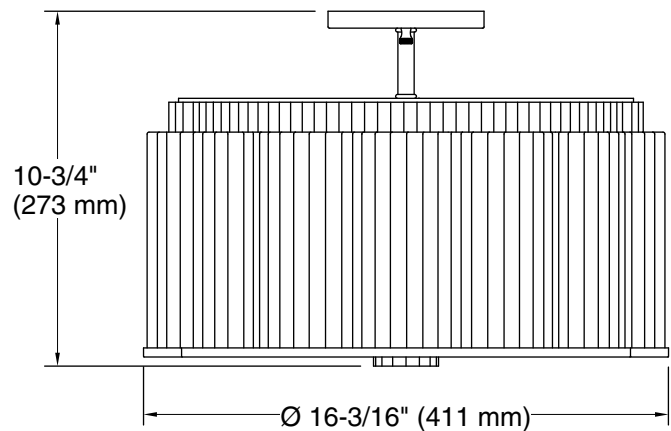
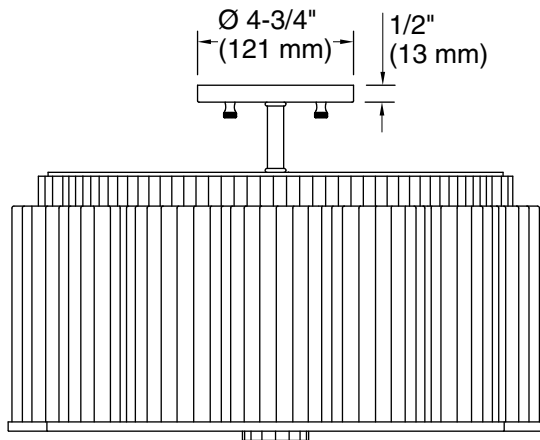
## KOHLER® Indoor Lighting Fixtures Limited Warranty

See website for detailed warranty information.

## Available Colors/Finishes

*Color tiles intended for reference only.*

Color	Code	Description
	SNL	Polished Nickel
	2PL	Polished Brass
	GNL	Gunmetal



## Required Electrical Service

One circuit required.

120 V, 60 Hz

## Technical Information

All product dimensions are nominal.

Installation Type:	Flush-mount
Material:	Steel, Brass, Glass
Number of Lights:	3
Lighting Type:	Socket-based
Socket Type:	E-26 Medium
Number of Shades:	1
Shade Type:	Glass - frosted