

Features

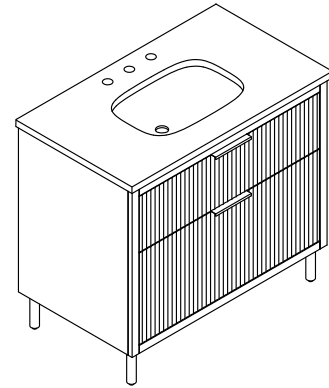
- Set includes cabinet, precut quartz vanity top, sink, cabinet hardware, and vanity legs
- Contemporary cabinetry features unique fluted paneling
- Two full-extension soft-close drawers with integrated pull handles
- Optional vanity legs give cabinet an elevated look
- Vanity top provides complete overhanging coverage of cabinetry
- Vanity top has 8" (203 mm) widespread faucet holes
- 442007-U Stinson® 20-3/16" (513 mm) rectangular undermount bathroom sink
- Rear drain placement increases vanity cabinet storage space underneath
- Three-hole front overflow
- Pairs with divided drawer organizer and drawer organizer set to sort small items (sold separately)

Material

- Solid wood, plywood, and moisture-resistant MDF vanity cabinet
- Quartz vanity top adds beauty and long-lasting durability
- Vitreous china sink
- Aluminum drawer handles
- Aluminum vanity legs

Installation

- Wall-hung
- Installation hardware included



Codes/Standards

ASME A112.19.2/CSA B45.1
EPA TSCA Title VI/CARB P2

KOHLER® One-Year Limited Warranty

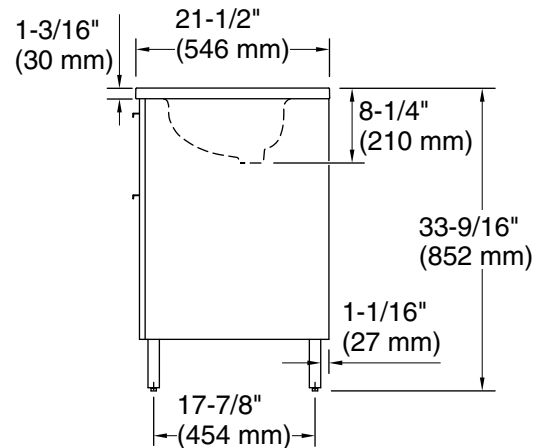
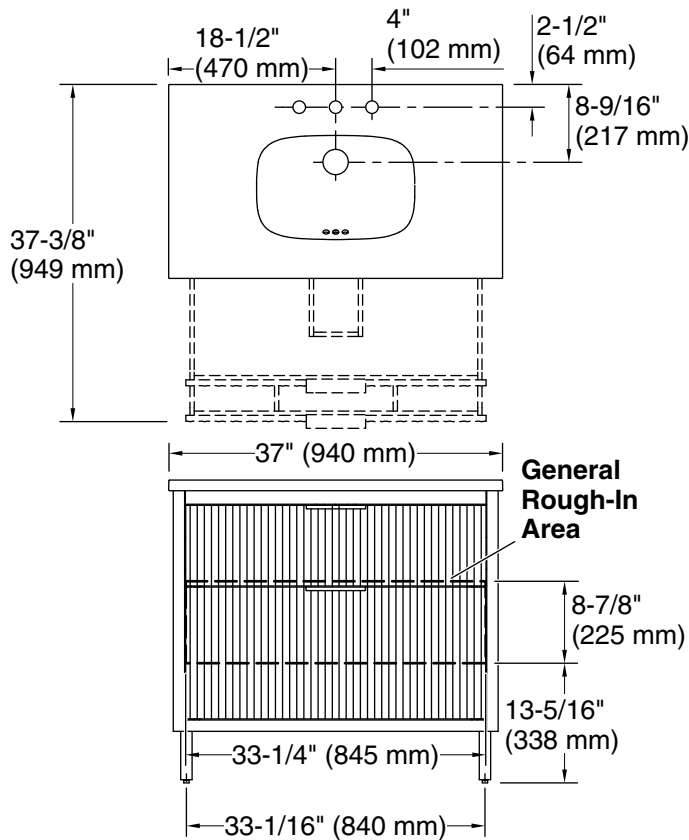
See website for detailed warranty information.

Available Colors/Finishes

Color tiles intended for reference only.

Color	Code	Description
-------	------	-------------

	0	White
	DKS	



Technical Information

All product dimensions are nominal.

Notes

Install this product according to the installation instructions.

Select the type of fastener based upon the wall material. Two 500 lb (277 kg) minimum load bearing fasteners are recommended.