

### Features

- Two-piece toilet.
- Elongated bowl offers added room and comfort.
- 1.28 gallons per flush (gpf).
- 2-1/8-inch glazed trapway.
- Right-hand trip lever included.
- Insuliner® tank liner minimizes condensation on the tank when exposed to high humidity.
- Tank locks included.
- Combination consists of the K-4841-RZ tank and the K-4198 bowl.
- Coordinates with other products in the Wellworth collection.

### Technology

- Single-flush gravity uses the force of gravity and a precision-engineered tank, bowl, and trapway to create a strong siphon during flushing.
- KOHLER's canister flush valve harnesses the natural force of gravity and optimizes flushing performance.
- Class Five® flushing technology offers virtually plug-free performance and rinsing power for a clean bowl.

### Installation

- 14-inch rough-in.
- Three-bolt installation.
- Seat and supply line not included.

### Water Conservation & Rebates

- WaterSense® toilets meet strict EPA flushing guidelines, including using at least 20 percent less water than 1.6-gallon toilets.
- Eligible for consumer rebates in some municipalities.

### Recommended Products/Accessories

K-4636 Cachet® Quiet-Close™ Elongated Toilet Seat  
K-5588 Purefresh® Elongated Toilet Seat  
K-4108 C³®-230 elongated cleansing toilet seat  
K-5420 Low-Profile Bolt Caps  
K-9379 Trip Lever  
1023457 Wax Ring/Hardware Kit  
1265114 Connector Hose

### Included Components

Product consists of:

K-4198 Elongated Bowl  
K-4841-RZ Toilet Tank

Additional Components:

Bolt cap accessory pack  
Tank accessory pack  
Tank cover  
Trip lever



### Codes/Standards

ASME A112.19.2/CSA B45.1  
DOE - Energy Policy Act 1992  
EPA WaterSense®  
California Energy Commission (CEC)




### KOHLER® One-Year Limited Warranty

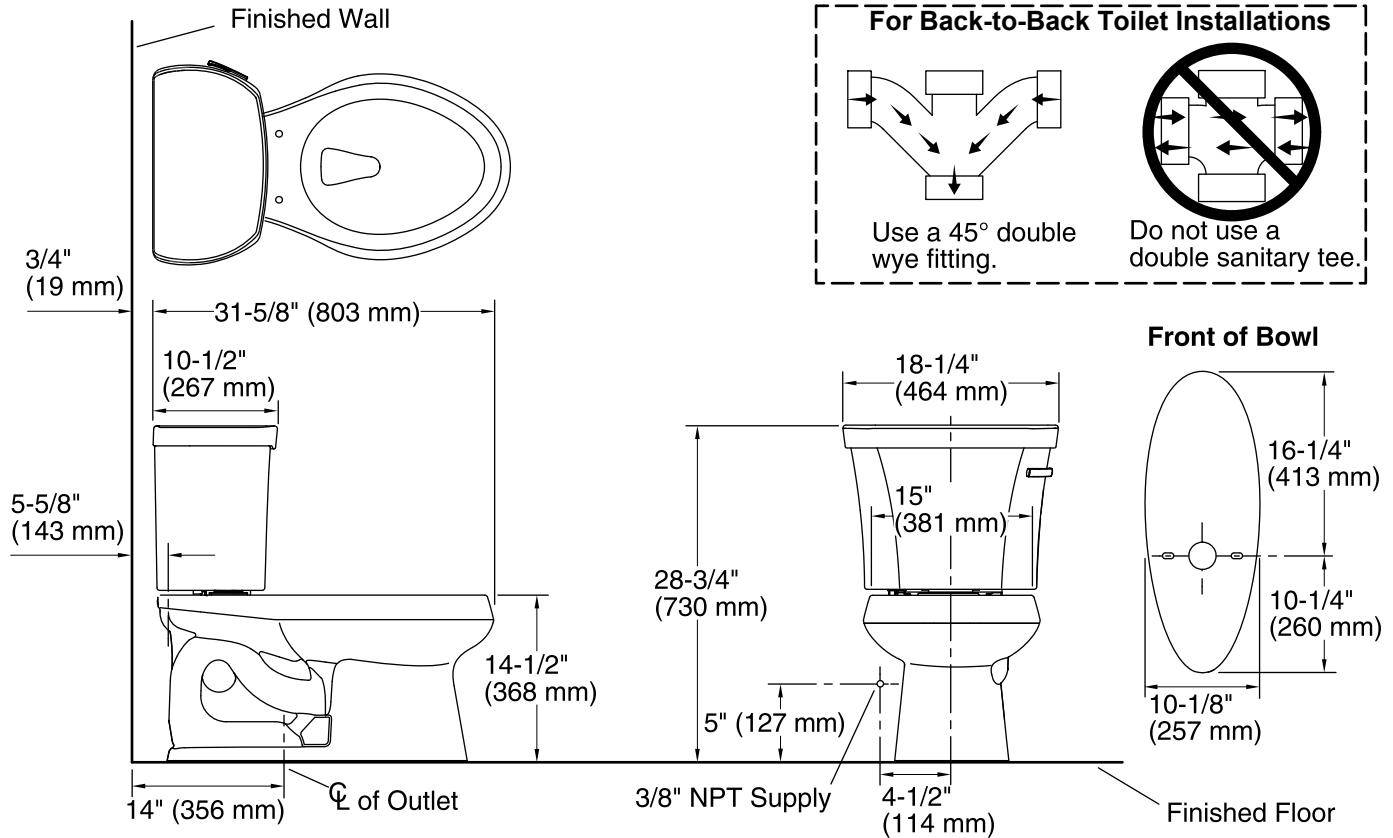
See website for detailed warranty information.

### Available Colors/Finishes

*Color tiles intended for reference only.*

#### Color Code Description

|  |    |         |
|--|----|---------|
|  | 0  | White   |
|  | 96 | Biscuit |
|  | 47 | Almond  |



## Technical Information

All product dimensions are nominal.

|                          |                                    |
|--------------------------|------------------------------------|
| Toilet type:             | Two-piece, Floor-mount             |
| Waste Outlet:            | Floor                              |
| Bowl shape:              | Elongated                          |
| Flush type:              | Class Five®                        |
| Trap passageway:         | 2-1/8" (54 mm)                     |
| <b>Water Consumption</b> |                                    |
| Full:                    | 1.28 gpf (4.8 lpf)                 |
| Water surface size:      | 11-1/4" x 8-1/4" (286 mm x 210 mm) |
| Rim to water surface:    | 5-1/4" (133 mm)                    |
| Rough-in:                | 14" (356 mm)                       |
| Seat-mounting holes:     | 5-1/2" (140 mm)                    |

## Notes

Install this product according to the installation instructions.

For back-to-back toilet installations: Use only a 45° double wye fitting.