

### Features

- Frameless design emphasizes glass and creates a sleek, minimalist look.
- Vertical handle with inside knob on moving panel.
- Gently-curved towel bar provides integrated storage on fixed panel.
- Tempered glass ensures maximum safety and durability.
- CleanCoat® technology creates a protective barrier that repels water, prevents dirt and minerals from collecting, and makes it easier to remove hard water spots.
- Smooth, easy-to-clean wall jambs.
- Full-length moving panel seal provides excellent water containment.
- Coordinates with other items in the Elate collection.

### Material

- Frameless, heavy 5/16" (8 mm) thick Crystal Clear tempered glass with privacy band.
- Anodized aluminum prevents rust and corrosion.

### Installation

- Fits opening widths 56-1/4" - 59-5/8" (1429 - 1514 mm).
- Shower door is 75-1/2" (1918 mm) tall, with a lofty 72-11/16" (1846 mm) of walk-through height.
- 3-3/8" (86 mm) width adjustment.
- Out-of-plumb adjustability simplifies installation.
- Door can be installed to open to the left or right to suit your bathroom layout.
- For residential use only.
- Not for use in hospitality.

### Recommended Products/Accessories

K-23723 Faucet cleaner



### Codes/Standards

ANSI Z97.1  
CPSC 16CFR 1201

### KOHLER® One-Year Limited Warranty

See website for detailed warranty information.

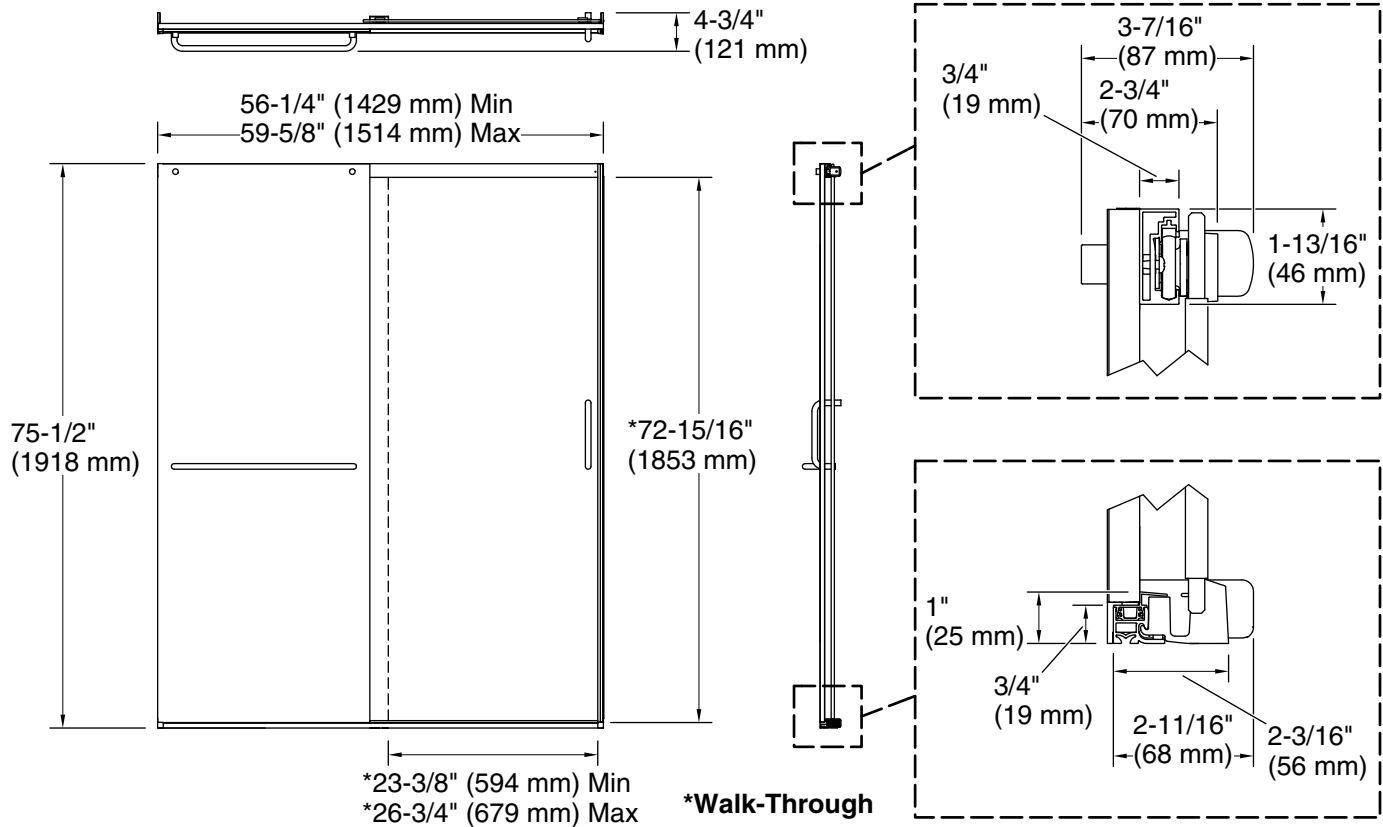
### Available Colors/Finishes

*Color tiles intended for reference only.*

| Color   | Code | Description   |
|---|------|---------------|
|  | SH   | Bright Silver |
|  | MX   | Matte Nickel  |
|  | BL   | Matte Black   |

### Available Glass Options

| Code | Description                             |
|------|---|
| G81  | Crystal Clear with Frosted Privacy Band |



### Technical Information

All product dimensions are nominal.

|                            |                              |
|----------------------------|------------------------------|
| Installation type:         | For shower base installation |
| Opening Width - Min:       | 56-1/4" (1429 mm)            |
| Opening Width - Max:       | 59-5/8" (1514 mm)            |
| Walk-through - Min:        | 23-3/8" (594 mm)             |
| Walk-through - Max:        | 26-3/4" (679 mm)             |
| Base-To-Wall Radius - Max: | 1/2" (13 mm)                 |
| Glass thickness:           | 5/16" (8 mm)                 |
| Glass coating:             | CleanCoat®                   |

### Notes

Install this product according to the installation instructions.

The vertical opening should be a minimum of 78-13/16" (2002 mm) to allow for installation clearance.