

## Features

- Spacious shower base offers ample room for showering.
- Safeguard® slip-resistant finish for added safety.
- Single threshold for alcove installation with three tile-in flanges.
- KOHLER® enameled cast iron.
- Right drain.

## Recommended Products/Accessories

K-9132 Shower Drain  
 K-1733 9 kW Steam Generator  
 K-702206-G54 Frameless Sliding Shower Door  
 K-702206-G73 Frameless Sliding Shower Door  
 K-702206-L Frameless Sliding Shower Door  
 K-702207-L Frameless Sliding Shower Door  
 K-702217-L Frameless Sliding Shower Door  
 K-705705-L Frameless Pivot Shower Door  
 K-705711-L Frameless Pivot Shower Door  
 K-705717-L Frameless Pivot Shower Door  
 K-705723-L Frameless Pivot Shower Door  
 K-705729-L Frameless Pivot Shower Door  
 K-705741-L Frameless Pivot Shower Door  
 K-705810-L Semi-Frameless Pivot Shower Door  
 K-705811-L Semi-Frameless Pivot Shower Door  
 K-705824-L Semi-Frameless Pivot Shower Door  
 K-705825-L Semi-Frameless Pivot Shower Door  
 K-706009-D3 Frameless Sliding Shower Door  
 K-706009-L Frameless Sliding Shower Door  
 K-706012-L Frameless Sliding Shower Door  
 K-706013-L Frameless Sliding Shower Door  
 K-706015-D3 Frameless Sliding Shower Door  
 K-706015-L Frameless Sliding Shower Door  
 K-706019-L Frameless Sliding Shower Door  
 K-5526 7 kW Steam Generator  
 K-5557 steam generator control kit



## Codes/Standards

ASME A112.19.1/CSA B45.2  
 ASTM F462

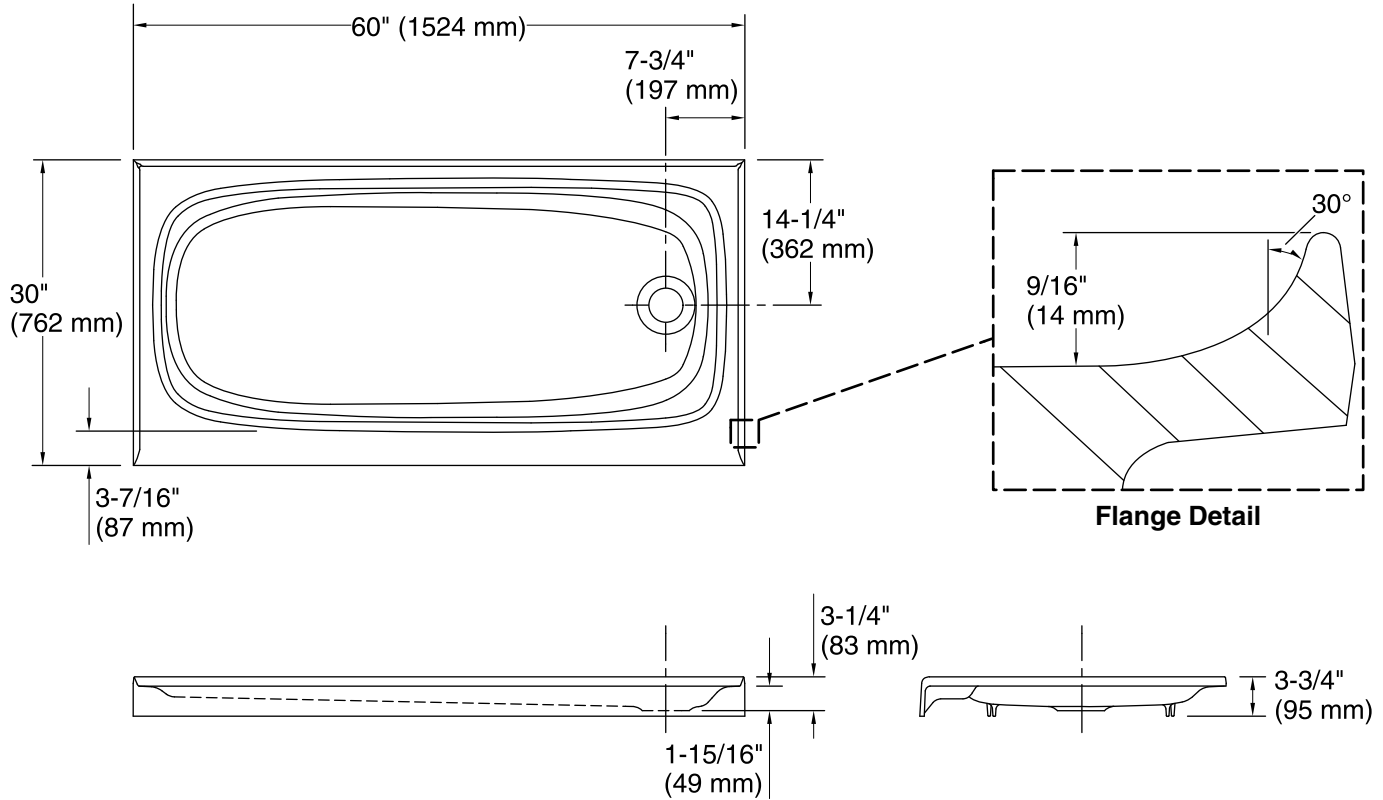
## KOHLER® Enameled Cast Iron Bath and Shower Base Lifetime Limited Warranty

See website for detailed warranty information.

## Available Colors/Finishes

*Color tiles intended for reference only.*

Color	Code	Description
	0	White
	FF	Sea Salt™
	96	Biscuit
	47	Almond
	FD	Cane Sugar™
	NY	Dune
	95	Ice™ Grey
	G9	Sandbar
	33	Mexican Sand™
	K4	Cashmere
	FT	Basalt
	58	Thunder™ Grey
	KA	Black 'n Tan
	7	Black Black™



## Technical Information

All product dimensions are nominal.

Installation:	Three-wall alcove
Drain location:	Right
Weight:	193 lbs (87.5 kg)
Minimum floor load:	40 lbs/ft <sup>2</sup> (195.3 kg/m <sup>2</sup> )

## Notes

Measure your actual product for rough-in details. Install this product according to the installation instructions.

KOHLER steam generator/control kit is designed for use with this product. Kohler Co. shall not be responsible for problems encountered due to the installation and use of other manufacturer's steam generators.