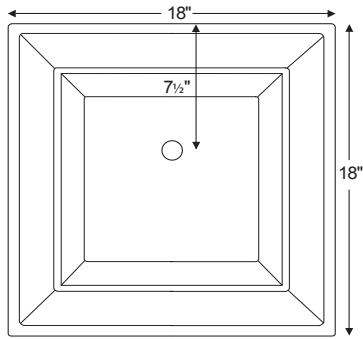
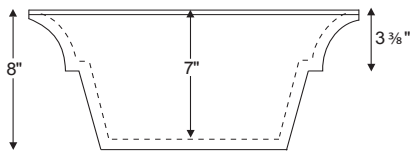


Intarcia



As vessel, installs on top of counter.



When semi-recessed, the 3 3/8" rim will rest on the counter.

Due to its handcrafted nature, always measure sink on-site to ensure cut-out accuracy.

MODEL 734
18" x 18" x 8"
VESSEL STYLE, SEMI-RECESSED, UNDERMOUNT
SculptureStone®
22 lbs / 10 kg

Sink Options and Pricing

Part #: MTCS734 \$1,330

Standard Color White, matte finish

Biscuit Color Upgrade (SSBISNK) \$120 matte finish

Additional material colors available for projects only. Please call MTI.

Hand-Polished Deep Gloss Finish Upcharge (SSGLOSSSNK2) \$530

For White or Biscuit

Quick Ship (QSPRI3) \$255 reduces lead time

Please call for availability.

Routed Channel on Sink (RCS) \$250

Options and Accessories

Drain Kits

Finger Touch Drain Without Overflow

Chrome (DKFGCN) **\$185**, Brushed Nickel (DKFGBNN) **\$190**

Grid Drain Without Overflow

Chrome (DKGDCN) **\$115**, Brushed Nickel (DKGDBNN) **\$180**

Fixed Drain Without Overflow

Chrome (DKFDC) **\$300**

ORDERING AND INSTALLATION

- 1.5" drain opening
- Optional overflow available for undermount (check local codes)
- One-piece construction
- Non-porous, stain-, mold- and mildew-resistant SculptureStone®
- Material is approximately 70% organic
- Five-Year Limited Residential Warranty

• Before discarding packaging, check for accessories that may be inside.
 • All product measurements are ±1/2".
 • Specifications and configurations are subject to change without notice.
 • Measurements herein supersede all others published prior to publication date below.

