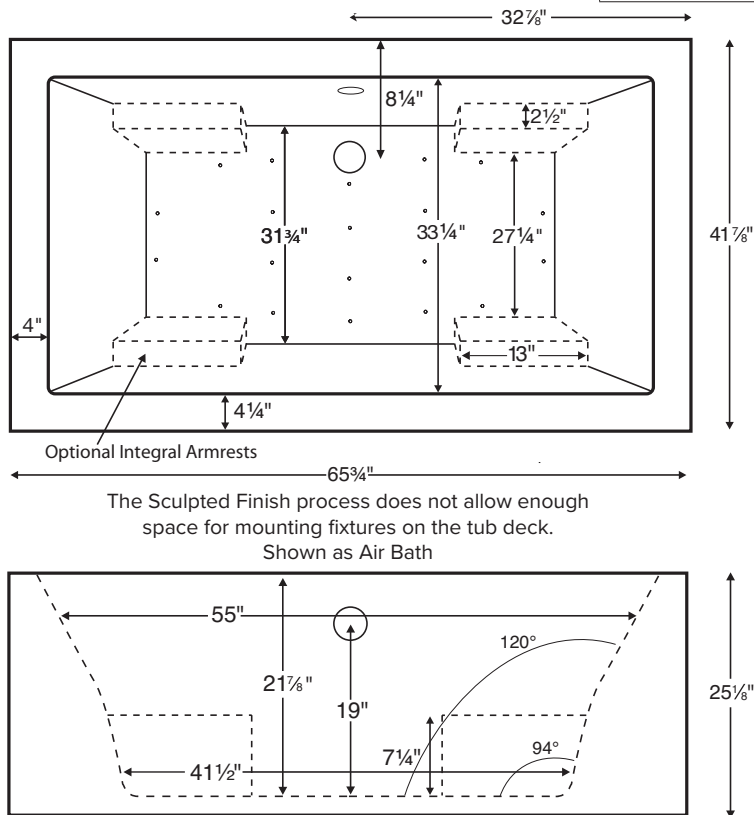




Available as a freestanding model or finished on 1, 2 or 3 sides for various installation applications.

Andrea® 13
with Sculpted Finish®

MODEL 103A	
65.75" x 41.875" x 25"	
FREESTANDING or ALCOVE 114 gal to overflow	
Acrylic CXL®	DoloMatte®
160 lbs / 73 kg	<SOAKER> 180 lbs / 82 kg
Filling this tub to the maximum may require an above average size or dedicated water heater.	



ELECTRICAL COMPONENTS & SPECIFICATIONS		
Hydrotherapy Package	Components Included	GFCI/110V
Microbubbles	Microbubbles pump	1-15 amp
Air Massage	heated blower	1-15 amp
Microbubbles with Air	Microbubbles pump, heated blower	1-20 amp
Air Massage Elite	heated blower, chromatherapy	1-15 amp
Microbubbles with Air Elite	Microbubbles pump, heated blower, chromatherapy	2-15 amp

Electrical requirements may change with the addition of optional therapy components. See specific option details or installation information, CSA Certified C/US; B45.5/IAPMO ANSI Z124.1 and ANSI 112.19.7

IMPORTANT ORDERING & INSTALLATION INFORMATION

- Before ordering or installing, please consider future access to equipment.
- Unless ordering Sculpted Finish on 4 sides, please include a diagram specifying which sides will need to be finished, along with location of optional tile flange(s).
- Overflow is factory installed for provided toe tap drain.
- When ordering an air bath, the air blower must be remote mounted.
- Microbubbles system components must be installed on a non-Sculpted Finish side. Components will extend beyond the perimeter of the tub. Call MTI for specific details regarding the desired installation before placing the order.
- Radiance placed on floor locations will affect placement of air jets.
- Hydrotherapy equipment may ship loose for remote installation. See package content on the following page for details.
- Faucet valves cannot be installed on this tub model.
- All tubs are compliant with ASTM C 1028-07 coefficient of friction. DoloMatte meets ANSI A137.1/A326.3 coefficient of friction and AS HB198:2014 slip tests.

See the Installation & Operation Manual for more details.
MTI's Customer Service: Monday-Friday 8am-6pm EST
800-783-8827 or service@mtibaths.com

• Options and accessories may be packaged inside the tub crate. Always check packaging before discarding.
• All product measurements are ±1/2".
• Specifications and configurations are subject to change without notice.
• Measurements herein supersede all others published prior to publication date below.



Andrea® 13
with Sculpted Finish®
MODEL 103A
65.75" x 41.875" x 25"

Hydrotherapy Packages	Package Contents	Sculpted Finish Sides	Acrylic CXL®		DoloMatte®	
			Part #	MSRP	Part #	MSRP
Soaker	Soaking bath - no jets, pre-leveled foam base, factory installed rectangular overflow with toe tap drain	4-sides sculpted	S103A4	\$8,625	S103D4	\$9,705
		3-sides sculpted	S103A3	\$7,980	S103D3	\$8,925
		2-sides sculpted	S103A2	\$6,445	S103D2	\$7,255
		1-side sculpted	S103A1	\$6,070	S103D1	\$6,745
Microbubbles	1 infusion port, microbubbles pump, pre-leveled foam base, factory installed rectangular overflow with toe tap drain	4-sides sculpted	n/a	n/a	n/a	n/a
		3-sides sculpted	M103A3	\$10,970	M103D3	\$11,915
		2-sides sculpted	M103A2	\$9,435	M103D2	\$10,245
		1-side sculpted	M103A1	\$9,060	M103D1	\$9,735
Air Massage	20 air jets, heated air blower, pre-leveled foam base, factory installed rectangular overflow with toe tap drain	4-sides sculpted	AST103A4	\$11,910	AST103D4	\$12,990
		3-sides sculpted	AST103A3	\$11,265	AST103D3	\$12,210
		2-sides sculpted	AST103A2	\$9,730	AST103D2	\$10,540
		1-side sculpted	AST103A1	\$9,355	AST103D1	\$10,030
Air Massage Elite	30 air jets, heated air blower, Chromatherapy LED lighting, Spa Mode, pre-leveled foam base, factory installed rectangular overflow with toe tap drain	4-sides sculpted	AE103A4	\$13,620	AE103D4	\$14,700
		3-sides sculpted	AE103A3	\$12,975	AE103D3	\$13,920
		2-sides sculpted	AE103A2	\$11,440	AE103D2	\$12,250
		1-side sculpted	AE103A1	\$11,065	AE103D1	\$11,740
Microbubbles with Air Massage	1 infusion port, microbubbles pump, 20 air jets, heated air blower, pre-leveled foam base, factory installed rectangular overflow with toe tap drain	4-sides sculpted	n/a	n/a	n/a	n/a
		3-sides sculpted	ASTM103A3	\$13,715	ASTM103D3	\$14,660
		2-sides sculpted	ASTM103A2	\$12,180	ASTM103D2	\$12,990
		1-side sculpted	ASTM103A1	\$11,805	ASTM103D1	\$12,480
Microbubbles with Air Massage Elite	1 infusion port, microbubbles pump, 30 air jets, heated air blower, Chromatherapy LED lighting, Spa Mode, pre-leveled foam base, factory installed rectangular overflow with toe tap drain	4-sides sculpted	n/a	n/a	n/a	n/a
		3-sides sculpted	AEM103A3	\$15,335	AEM103D3	\$16,280
		2-sides sculpted	AEM103A2	\$13,800	AEM103D2	\$14,610
		1-side sculpted	AEM103A1	\$13,425	AEM103D1	\$14,100

Microbubbles system components must be installed on a non-Sculpted Finish® side.

Components will extend beyond the perimeter of the tub. Call MTI for specific details regarding the desired installation before placing order.

For more customized applications, additional hydrotherapies may possibly be integrated in Sculpted Finish® tubs, depending on the types of therapy and the installation application. Visit mtibaths.com or call MTI at 800.783.8827.

RECOMMENDED SENSORY THERAPIES

Chromatherapy

(LE) **\$800** underwater lighting
2 LED lights included

Audiotherapy

(STEREOBT) **\$1,390** 2 transducers
with bluetooth and amplifier
(BTREMOTE) **\$600** bluetooth remote

(STEREOH202) **\$1,575** 4 transducers
amplifier not included

Thermaltherapy

(RAD100) **\$1,595** Radiance®
2 heated zones included



For more information on options and accessories go to Acrylic Tub Options on mtibaths.com

Andrea® 13 with Sculpted Finish®
MODEL 103A

Options <i>Must be ordered at time of purchase.</i>	
Standard Color White (CWH) gloss Acrylic CXL, matte DoloMatte	
Textured, Slip-Resistant Bottom (TXTBTM) \$105 DoloMatte® exceeds ANSI A137.1/A326.3 and AS HB198 slip tests.	
Ozonator (OZONE) \$515	
Integral Armrests - 2 pair (INTARM2) \$295 center drain tub models	
Installation Options <i>Must be ordered at time of purchase.</i>	
Tile Flange Factory Installed rigid ABS	
1 Side (TFK1) \$175	IMPORTANT: <i>Must specify flange location(s) on order of Factory-Installed Flange.</i>
2 Sides (TFK2) \$185	
3 Sides (TFK3) \$200	
Field Install Kit (TFKNI) \$185 Includes rigid ABS & adhesive	

Accessories	
Pillows from \$180	
Teak Bath Mat (TKMAT3018) \$815 <i>Custom sizes also available. Contact MTI for details and pricing.</i>	
Teak Tub Tray Slatted (TK-TRAY1) \$500 Solid (TK-TRAY2) \$570	
Teak Seat (TK-REMSEAT) \$660 For use with armrests only.	
Floor-Mounted High-Flow Tub Filler Contemporary Chrome (FILLC) \$1,480 Brushed Nickel (FILLBN) \$1,710	

Drains & Overflow Kits *Must be ordered at time of purchase*

Toe Tap with Rectangular Overflow – PVC Drain Kit
Overflow is factory installed
Chrome (WOTRC) included
Brushed Nickel (WOTRBN) substitute free of charge
White (WOTRWU) **\$55** finish upcharge

Brass Body for Rectangular Overflow with Toe Tap
(WOTRSBU) **\$480** upcharge

Slim-Line Overflow with Toe Tap Drain *Must be ordered at time of purchase*

- May upgrade rectangular overflow to Slim-Line Overflow
- Low profile overflow is factory installed
- Overflow measures 4.5" x 1"
- Provides a deeper soak
- Not available for commercial applications

Slim-Line Overflow with Toe Tap Drain
PVC Drain
Chrome (SLOT) **\$500**
Brushed Nickel (SLOTBN) **\$530**
Polished Nickel (SLOTBN) **\$555**
White (SLOTW) **\$430**

Slim-Line Overflow with Toe Tap Drain
Solid Brass Drain
Chrome (SLOTSBC) **\$930**
Brushed Nickel (SLOTSBBN) **\$935**
Polished Nickel (SLOTSBPN) **\$935**
White (SLOTSBW) **\$965**



Rectangular overflow included



Optional Slim-Line overflow