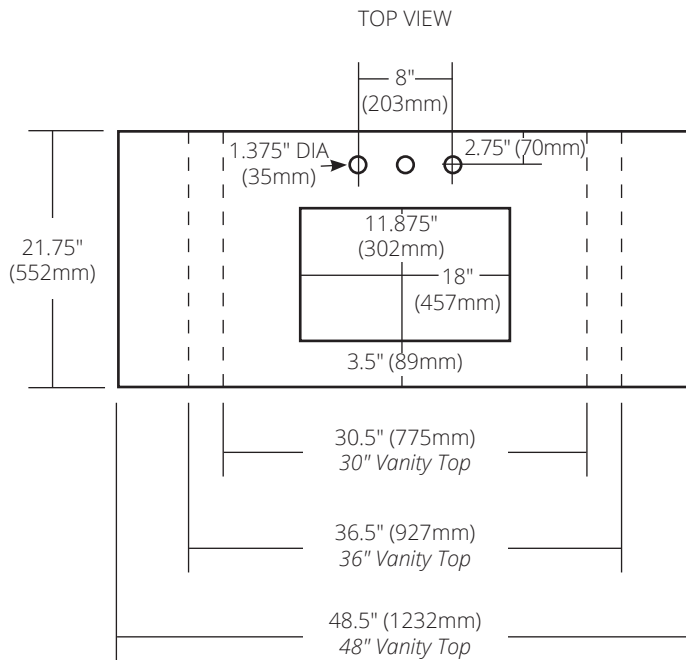


SPECIFICATIONS

NATIVESTONE® VANITY TOP

ALL SIZES - RECTANGLE WITH 8" WIDESPREAD CUTOUT

NativeStone Collection



30" Vanity Top

30.5"w x 21.75"d x 1.18"h (775mm x 552mm x 30mm)

NSV30-AR Ash
 NSV30-CR Charcoal
 NSV30-ER Earth
 NSV30-PR Pearl
 NSV30-SR Slate

36" Vanity Top

36.5"w x 21.75"d x 1.18"h (927mm x 552mm x 30mm)

NSV36-AR Ash
 NSV36-CR Charcoal
 NSV36-ER Earth
 NSV36-PR Pearl
 NSV36-SR Slate

48" Vanity Top

48.5"w x 21.75"d x 1.18"h (1232mm x 552mm x 30mm)

NSV48-AR Ash
 NSV48-CR Charcoal
 NSV48-ER Earth
 NSV48-PR Pearl
 NSV48-SR Slate

IMPORTANT

DO NOT use tape or other adhesives on NativeStone as it may remove the sealer.

Due to the handcrafted nature of this product, it will vary in finish, texture, and other details. Dimensions may vary up to ¼" (6mm).

PRODUCT DETAILS

- Pre-drilled 8" for widespread faucet
- Handcrafted from sustainable NativeStone
- Sealed with NativeStone Shield™

COORDINATING PRODUCTS

- Drains: DR120, DR130 or DR150
- Amara, Avila, Cabrillo, or Hana sinks