

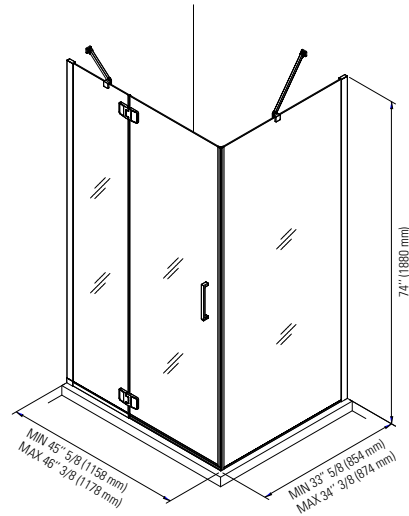
AZELIA 3648 SHOWER DOOR

LOT #0 - LOT #1

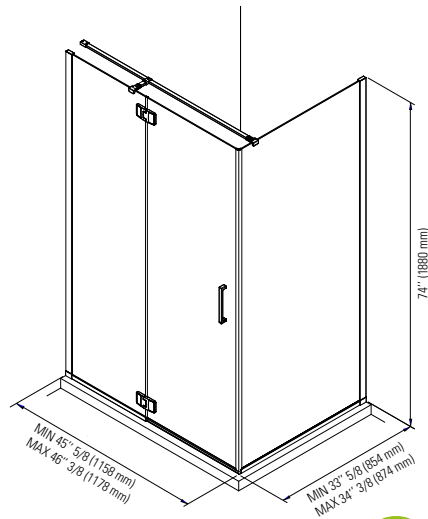


Picture : Lot #1

Lot #0
Technical drawing on page 2



Lot #1
Technical drawing on page 3



PRODUCT DESCRIPTION:

Contemporary style
Front and return glass panels
6 mm glass (1/4")
Door opening 24 3/16"
right or left corner installation
Offered in chrome/clear

24-48hrs

BOXES SIZE:

77" x 35" x 3"

NET WEIGHT:

132 lbs

GROSS WEIGHT

132 lbs

* Produits Neptune applies a cutting-edge protective covering, which repels water and dirt for easy cleaning and increases the lifespan of your shower doors.



Certification ECORESPONSIBLE
First manufacturer of bathroom products in North America to be certified ecoresponsible.



Produits Neptune

ENTREPRENEUR

6835, Picard street, Saint-Hyacinthe (Quebec) J2S 1H3
Phone: (450) 773-7058 - Fax: (450) 773-5063
produitsneptune.com

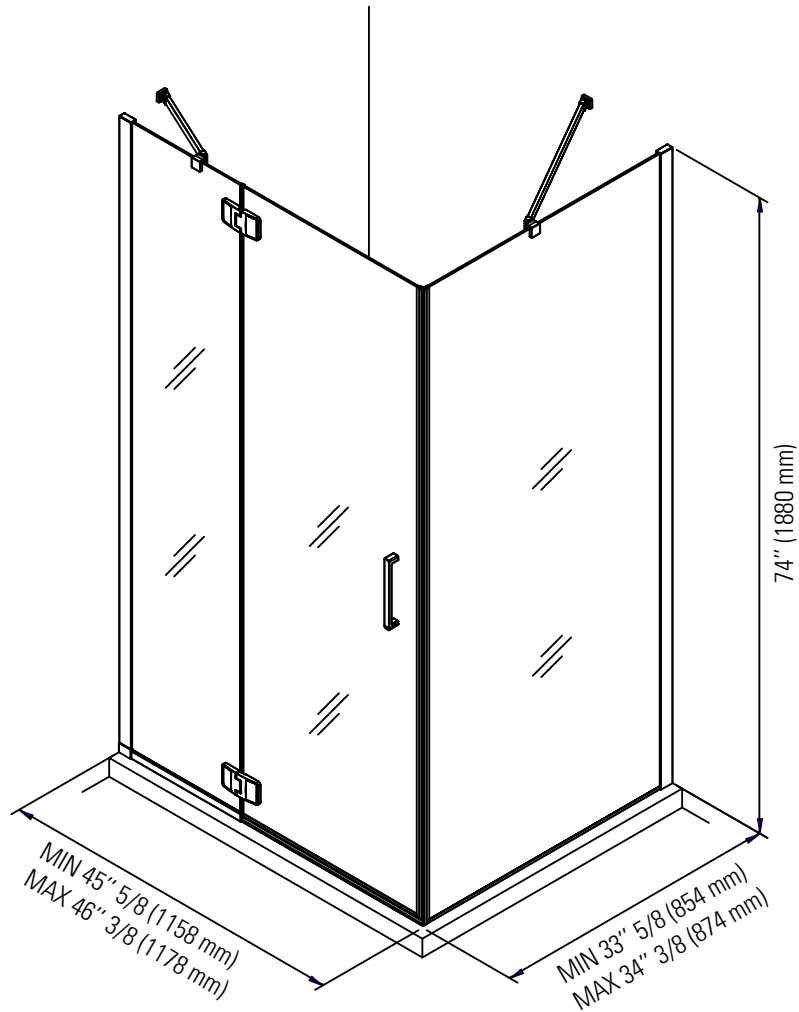
REV: 07-18



Produits Neptune

AZELIA 3648 - LOT #0

Shower door



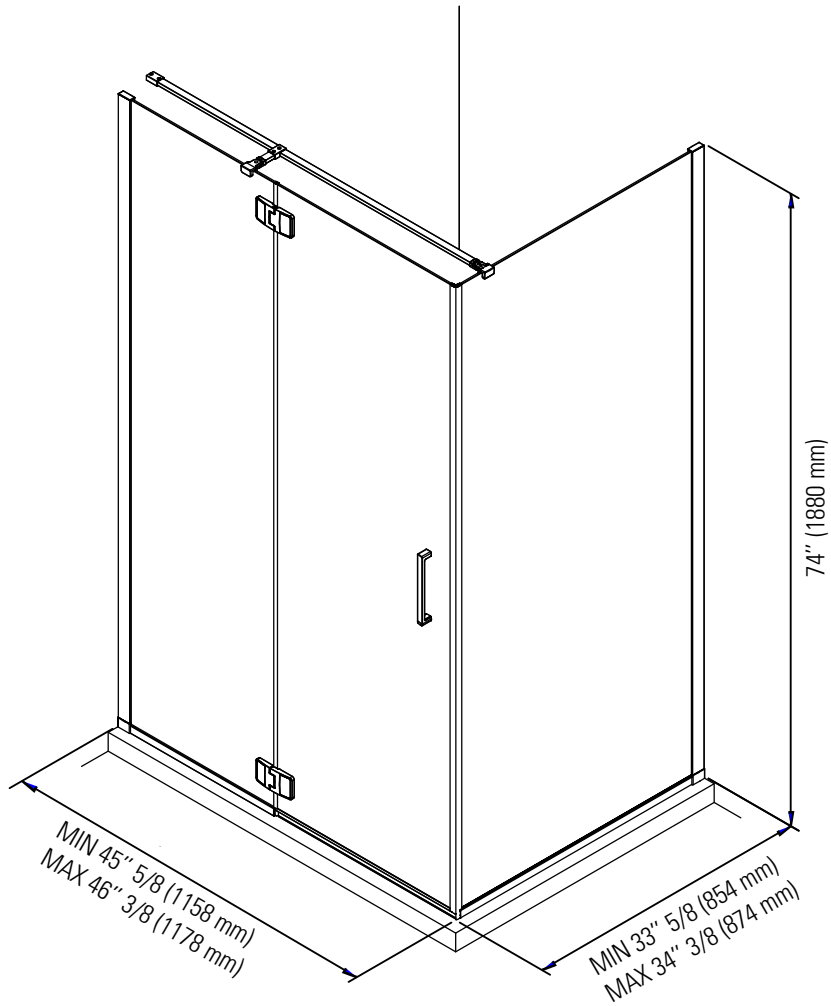
*All dimensions are approximate and subject to change without notice.
Please refer to the installation guide before beginning the installation.



Produits Neptune

AZELIA 3648 - LOT #1

Shower door



*All dimensions are approximate and subject to change without notice.
Please refer to the installation guide before beginning the installation.