

EUROPEAN COLLECTION



Home Innovation
LAB CERTIFIED™



72-INCH WIDE MODEL

Cambridge (Under Mount)

Unit Dimensions

72" wide x 42-3/4" deep x 23-1/2" high

Unit Features

- Vacuum Formed Acrylic
- 2" Dia. Side Drain (see reverse side for location)
- 2-1/2" Dia. Overflow (see reverse side for location)
- Pre-Leveled Fiberglass Base System
- Textured Floor Pattern

Special Notes

- Whirlpool System Available (see reverse side for details)
- Air System Available (see reverse side for details)
- Combination System Available (see reverse side for details)
- UL Listed Whirlpool & Air Systems

Unit / System Order Number

Acrylic: HG-520 / 0ND (soaking tub)
HG-520 / 6J (EuroFlo System)
HG-520 / AR3 (EuroAire System)
HG-520 / 6J-AR3 (Combination System)

System Trim

Standard 6J Trim (order code): White trim on White unit (WHT) - Bone trim on Bone unit (BON) - Biscuit trim on Biscuit unit (BSC) - Chrome trim (CHR)

Order Number / Description

6J: *EuroFlo System* includes: 6-Adjustable jets, 6-jet Back Jet Array w/ manual control, Aromatherapy diffuser, Chromotherapy light, low water sensor, twin air controls, electronic system control w/ timer, and 13.5 amp pump/motor.

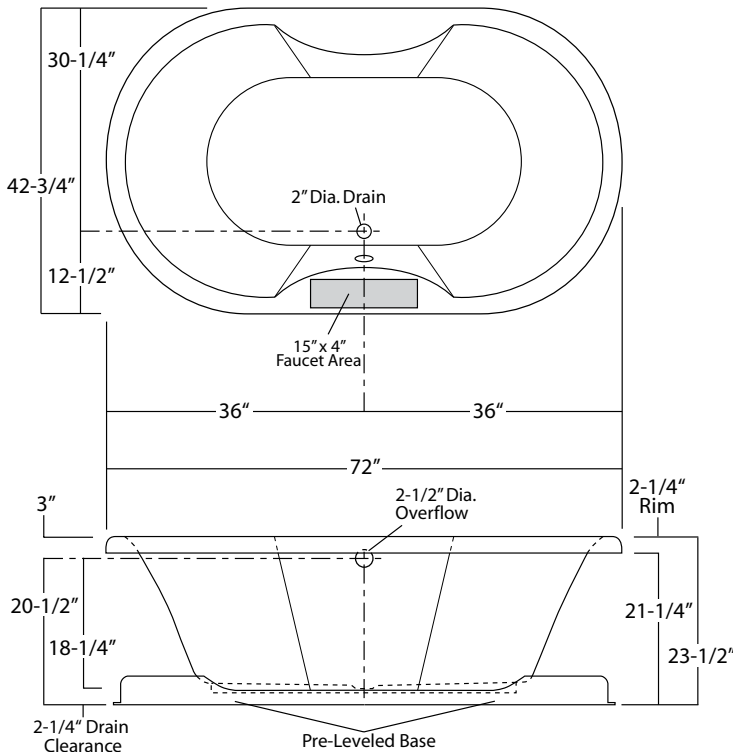
Options: In-Line Heater (1*) (order: ILH)
 Ozone Generator (1*) (order: OZG)
 Electronic Back-Jet (1*, 2*, 4*) (order: BJA-ES)
 Trim Upgrade (1*)
 Brushed (satin) Nickel (order: 6J-SNK)
 Alternate Pump/Blower Location (1*) (order: MP/B)

Order Number / Description

AR3: *EuroAire System* (3*) includes: (59) Perimeter air ports, electronic system control, and a 12.0 amp, 600-watt blower with ceramic heater.

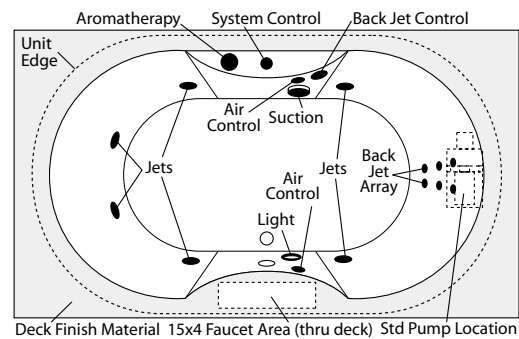
6J-AR3: *EuroFlo & EuroAire System* (3*) on a single unit with an enhanced electronic control.

Notes: (1*) Factory installed options
 (2*) Includes system control upgrade
 (3*) Available on acrylic models only
 (4*) Upgrade from manual back-jet array

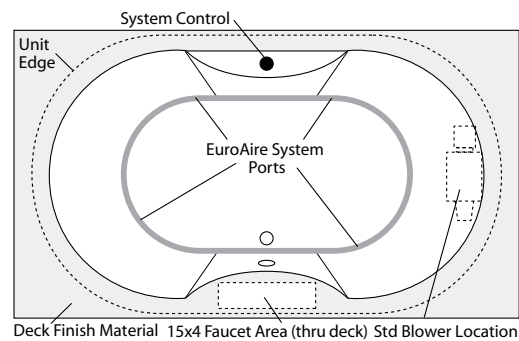


Sump Dimen: 50" long x 28" wide x 20-5/8" deep
 Sump Capacity: 88 gal. (unoccupied - to overflow)
 Whirlpool Operating: 61 gal.

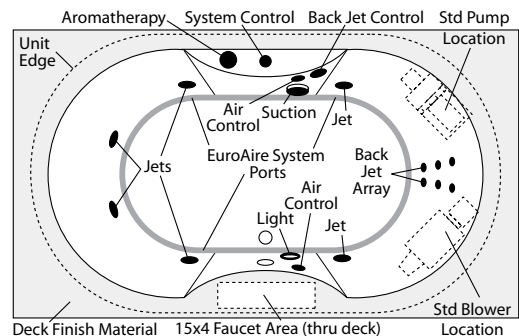
EuroFlo System



EuroAire System



Combination EuroFlo / EuroAire System



Photographic images may include optional components and appear different than actual product.
 Dimensions shown are maximum. Due to the nature of the materials involved, actual unit dimensions can vary (tolerances: +0 / -3/8 inch).
 Oasis reserves the right to modify or discontinue product and/or associated equipment without prior written or verbal notification or obligation.