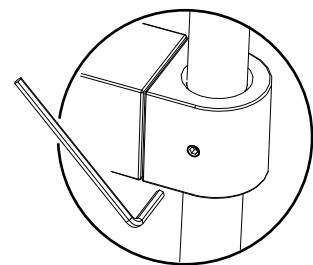
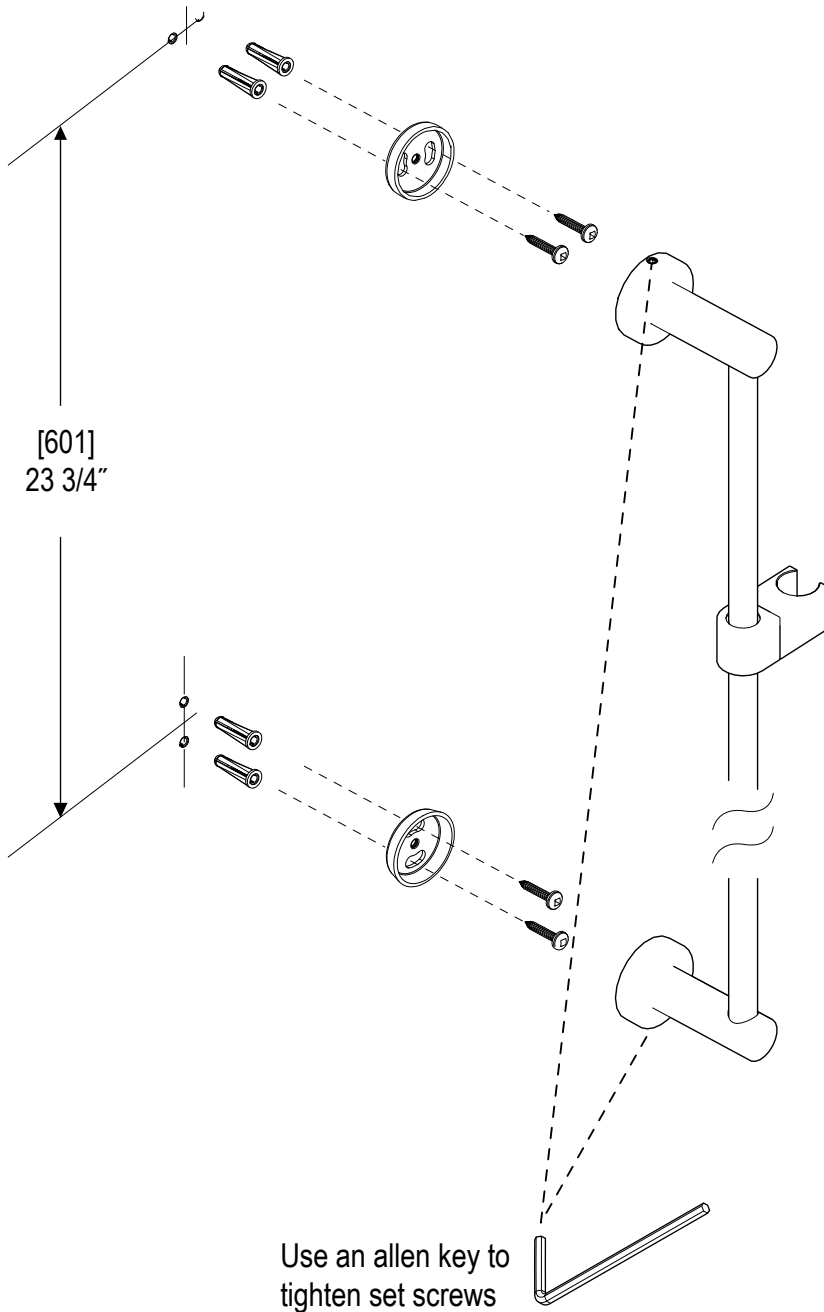


* Drill 4 holes using 8 mm drill bit and insert Plastic Anchors



Adjust sliding resistance by tightening or unscrewing