

SPEAKMAN®

Single Lever Kitchen Faucet

S-3762 S-3762-HS

SPECIFICATION

S-3762



MODELS:

- S-3762: Single lever lead free kitchen faucet.
- S-3762-HS: Single lever lead free kitchen faucet with hose and spray attachment

FEATURES:

- Lead free NSF compliant
- 8 in. deck single lever kitchen faucet.
- All metal construction.
- Ceramic cartridge.
- Water conserving aerator reduces flow to 2.2 gpm/8.4 L/min.
- Copper tube inlets with 1/2 in. NPSM compression threads.

COMPLIANCE:

- Meets ASME A112.18.1/CSA B125.1, NSF 372 and NSF 61 standards.



AVAILABLE FINISHES:

- Polished Chrome (standard)

OPTIONS:

ADD SUFFIX TO MODEL #

- 0.5 gpm flow control, vandal-resistant -BO
- 2.2 gpm laminar flow control outlet, vandal-resistant -LF
- 2.2 aerated flow control, vandal-resistant -VR

S-3762-HS



WARRANTY:

- 5 year limited

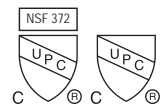
SEE REVERSE FOR ROUGH-IN DIMENSIONS

THIS SPACE FOR ARCHITECT/ENGINEER APPROVAL.

SPEAKMAN®

400 ANCHOR MILL ROAD | NEW CASTLE, DE 19720
P: 800-537-2107 | F: 800-977-2747
WWW.SPEAKMANCOMPANY.COM

REVISION DATE: DECEMBER 2014



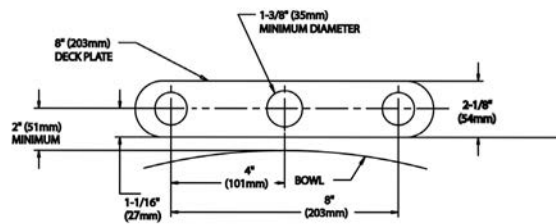
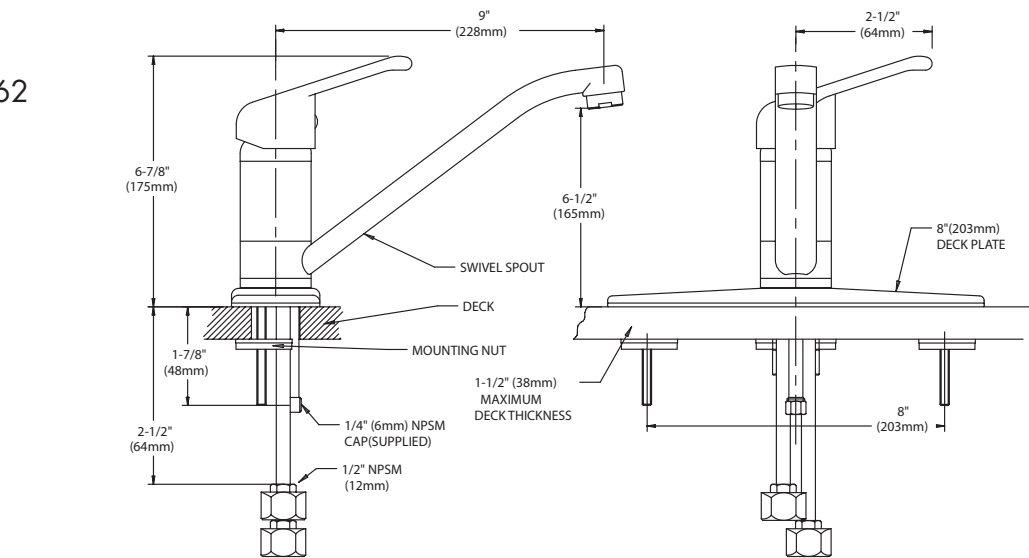
Management Systems
Registered to ISO 9001

SPEAKMAN®

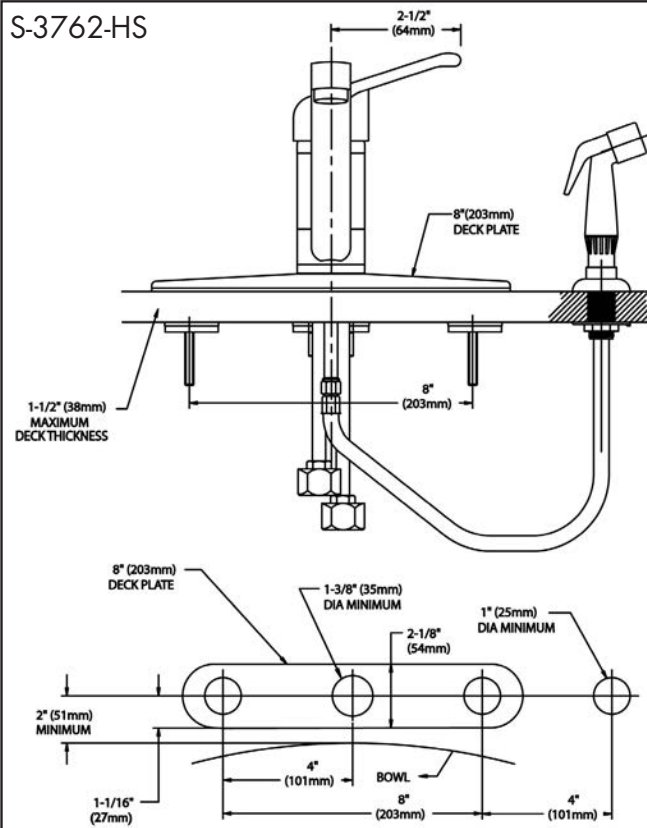
Single Lever Kitchen Faucet S-3762, S-3762-HS

SPECIFICATION

S-3762



S-3762-HS

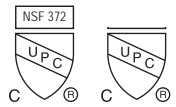


NOTE: 1. All dimensions are in inches (millimeters) unless otherwise specified and are subject to change without notice. 2. Inlet is 3/8" compression with male threads. 3. Position faucet as close to the edge of the sink as possible

THIS SPACE FOR ARCHITECT/ENGINEER APPROVAL.

SPEAKMAN®

400 ANCHOR MILL ROAD | NEW CASTLE, DE 19720
 P: 800-537-2107 | F: 800-977-2747
 WWW.SPEAKMANCOMPANY.COM



Management Systems
 Registered to ISO 9001

REVISION DATE: DECEMBER 2014