

SPEAKMAN®

FLW (Flow Switch) & FLW-DPDT (Flow Switch –Double Pole/ Double Throw)

SPECIFICATIONS

Activator: 19” Chain.

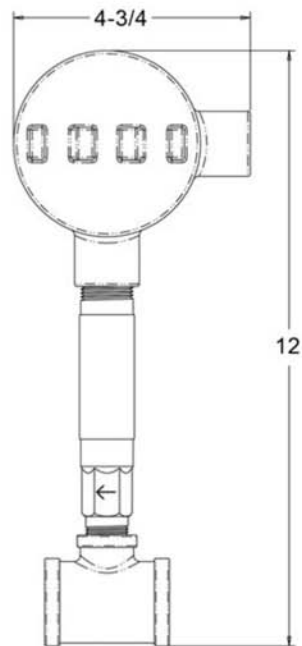
(FLW)

Flow switch: spdt, 5a @ 120VAC junction box: 3/4”- 2 outlet, NEMA 4 metallic junction box. tee: 1” x 1” x 1/2” NPT galvanized tee. electrical classification: flow switch assembly rated for class 1, div. 2, groups b, c, d

(FLW-DPDT)

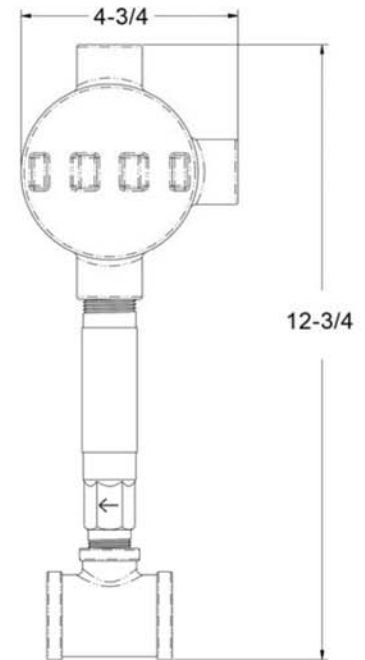
Flow switch: dpdt, 5a @ 120VAC junction box: 3/4”- 3 outlet, NEMA 4 metallic junction box. tee: 1” x 1” x 1/2” NPT galvanized tee. electrical classification: flow switch assembly rated for class 1, div. 2, groups b, c, d

ROUGH IN DIMENSIONS



FLW ROUGH-IN

1



FLW-DPDT ROUGH-IN

Job Name _____	
Location _____	
Architect/Engineer _____	
Sales Representative _____	
Wholesaler _____	
Date _____	Model # _____