

SPEAKMAN® SE-603

Combination Shower with Rectangular Eye/Face Wash Bowl

EYE/FACE WASH FEATURES: (SE-400)

- (6) brass chrome-plated aerated sprays
- Yellow polypropylene shrouds.
- Brass, chrome-plated in-line strainer
- Stainless steel bowl
- ½ in. NPT female brass chrome plated valve
- Stainless steel push handle activator
- ½ in. NPT female inlet
- 9.3 gpm @ 30 psi
- Universal emergency sign included

SHOWER FEATURES:

- 8 in. diameter yellow plastic showerhead
- Internal 20 gpm regulator flow control
- 1 in. NPT female brass, chrome plated full flow stay-open ball valve
- Powder coated yellow, aluminum triangular pull rod activation
- Stanchion is 1¼ in. galvanized steel piping and fittings
- 1¼ in. NPT female waste & inlet
- 20 gpm @ 30 psi flowing

FINISHES:



DuraJade™ powder-coated galvanized steel (standard)

COMPLIANCE:

- Certified to ANSI/ISEA Z358.1

OPTIONS:

Add suffix to model #

- | | |
|---|---------------------------------|
| • Anti-freeze protection valve | <input type="checkbox"/> -FPV |
| • Hand & foot operation | <input type="checkbox"/> -HFO |
| • Hand-held spray | <input type="checkbox"/> -HS |
| • Self-closing shower valve with chain & ring | <input type="checkbox"/> -SCSV |
| • Stainless steel pull rod | <input type="checkbox"/> -SPR |
| • Anti-scald protection valve | <input type="checkbox"/> -SPV |
| • 1 in. IPS stainless steel ball valve | <input type="checkbox"/> -SSBV1 |
| • ½ in. IPS stainless steel ball valve | <input type="checkbox"/> -SSBV2 |
| • Stainless steel showerhead | <input type="checkbox"/> -SSH |

WARRANTY:

- 3 year limited

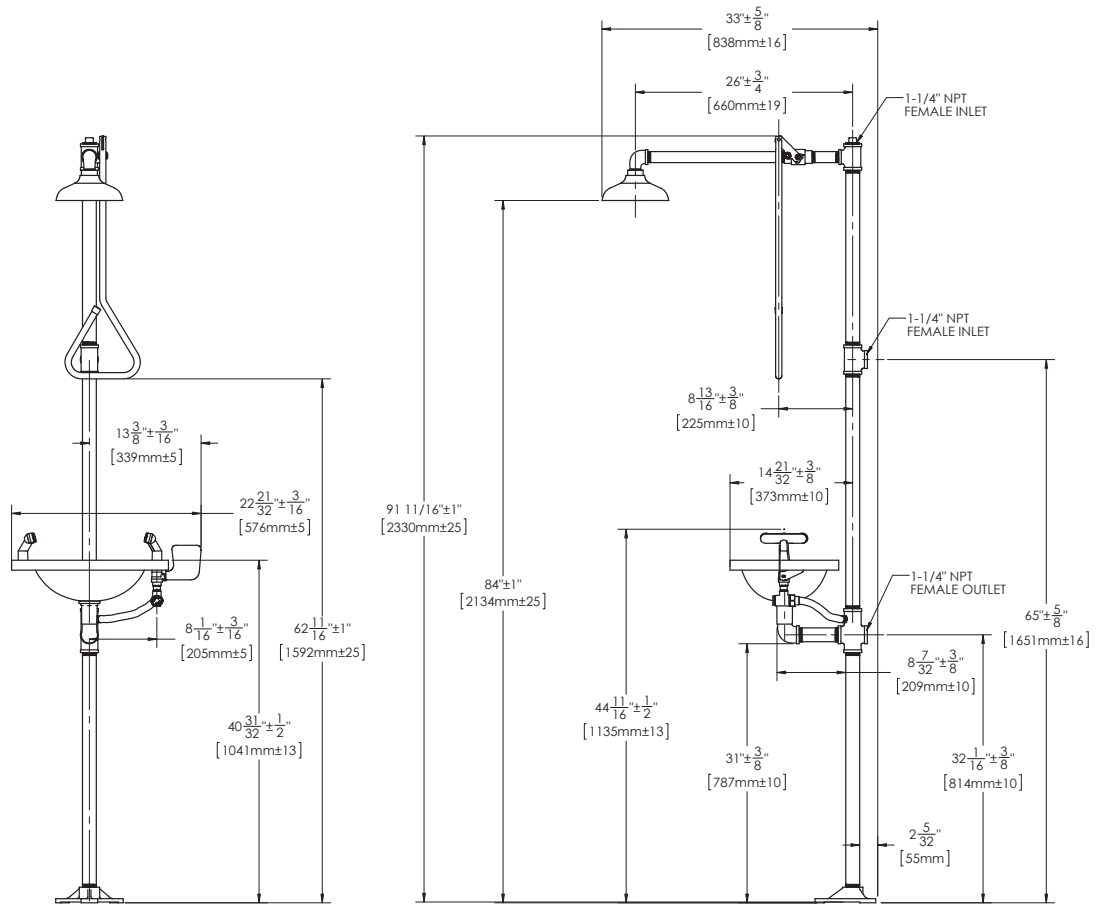
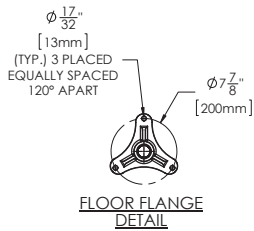


DIMENSIONS:

NOTE: 1. All dimensions are in inches (millimeters) unless otherwise specified and are subject to change without notice. 2. All units meet existing ANSI/ISEA Z358.1 standards and OSHA rules. Product improvements may cause specification and dimensional changes without notice.

SHOWER FLOW DATA			
PRESSURE		FLOW RATE	
psi	bar	gpm	L/min
30	2.07	20	75
90	4.14	25	94

EYE/FACE WASH FLOW DATA			
PRESSURE		FLOW RATE	
psi	bar	gpm	L/min
30	2.07	9.55	36.6



SPEAKMAN® SE-609

Combination Shower with Rectangular Eye/Face Wash Bowl

EYE/FACE WASH FEATURES: (SE-400)

- (6) brass chrome-plated aerated sprays
- Yellow polypropylene shrouds.
- Brass, chrome-plated in-line strainer
- ½ in. NPT female brass chrome plated valve
- Stainless steel push handle activator
- ½ in. NPT female inlet
- 9.3 gpm @ 30 psi
- Universal emergency sign included

SHOWER FEATURES:

- 8 in. diameter yellow plastic showerhead
- Internal 20 gpm flow control
- 1 ½" NPT female brass frost proof valve
- Stanchion is 1 ¼ in. galvanized steel piping and fittings.
- 42" standard bury depth
- Push handle activator
- 1 ¼" NPT female waste
- 20 gpm @ 30 psi

FINISHES:



DuraJade™ powder-coated galvanized steel (standard)

COMPLIANCE:

- Certified to ANSI/ISEA Z358.1

OPTIONS:

Add suffix to model #

- | | |
|---|---------------------------------|
| • Anti-freeze protection valve | <input type="checkbox"/> -FPV |
| • Hand & foot operation | <input type="checkbox"/> -HFO |
| • Hand-held spray | <input type="checkbox"/> -HS |
| • Self-closing shower valve with chain & ring | <input type="checkbox"/> -SCSV |
| • Stainless steel pull rod | <input type="checkbox"/> -SPR |
| • Anti-scald protection valve | <input type="checkbox"/> -SPV |
| • 1 in. IPS stainless steel ball valve | <input type="checkbox"/> -SSBV1 |
| • ½ in. IPS stainless steel ball valve | <input type="checkbox"/> -SSBV2 |
| • Stainless steel showerhead | <input type="checkbox"/> -SSH |

NOTE:

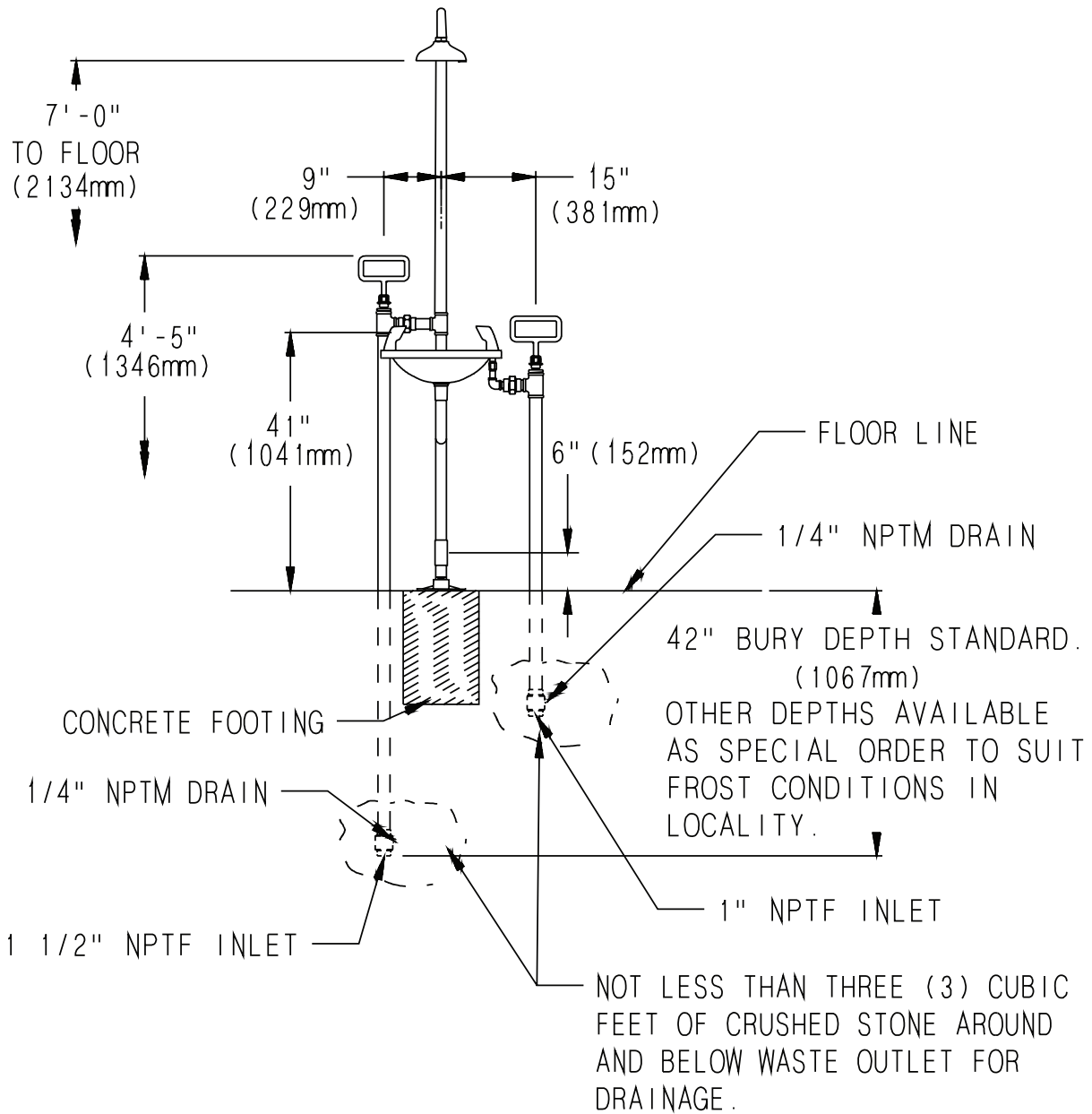
- The maximum "static" pressure allowable for this unit is 80 psi

WARRANTY:

- 3 year limited



DIMENSIONS: NOTE: 1. All dimensions are in inches (millimeters) unless otherwise specified and are subject to change without notice.



SPEAKMAN® SE-616

Combination Shower with Rectangular Eyewash Bowl

EYE WASH FEATURES: (SE-505)

- (2) aerated yellow nylon spray outlets
- Stainless steel bowl
- ½ in. NPT female brass chrome plated full flow stay-open ball valve
- Stainless steel trigger bar activator
- Volume control with ½ in. NPT female inlet
- 3.0 gpm @ 30 psi
- Universal emergency sign included

SHOWER FEATURES:

- 8 in. diameter yellow plastic showerhead
- Internal 20 gpm flow control
- 1" NPT female brass, chrome plated full flow stay-open ball valve
- Powder coated yellow aluminum triangular pull rod
- 1 ¼" IPS galvanized steel piping and fittings
- 1 ¼" NPT female inlet & waste
- 20 gpm @ 30 psi

FINISHES:



DuraJade™ powder-coated galvanized steel (standard)

COMPLIANCE:

- Certified to ANSI/ISEA Z358.1

OPTIONS:

Add suffix to model #

- | | |
|---|---------------------------------|
| • Anti-freeze protection valve | <input type="checkbox"/> -FPV |
| • Hand & foot operation | <input type="checkbox"/> -HFO |
| • Hand-held spray | <input type="checkbox"/> -HS |
| • Self-closing shower valve with chain & ring | <input type="checkbox"/> -SCSV |
| • Stainless steel pull rod | <input type="checkbox"/> -SPR |
| • Anti-scald protection valve | <input type="checkbox"/> -SPV |
| • 1 in. IPS stainless steel ball valve | <input type="checkbox"/> -SSBV1 |
| • ½ in. IPS stainless steel ball valve | <input type="checkbox"/> -SSBV2 |
| • Stainless steel showerhead | <input type="checkbox"/> -SSH |

WARRANTY:

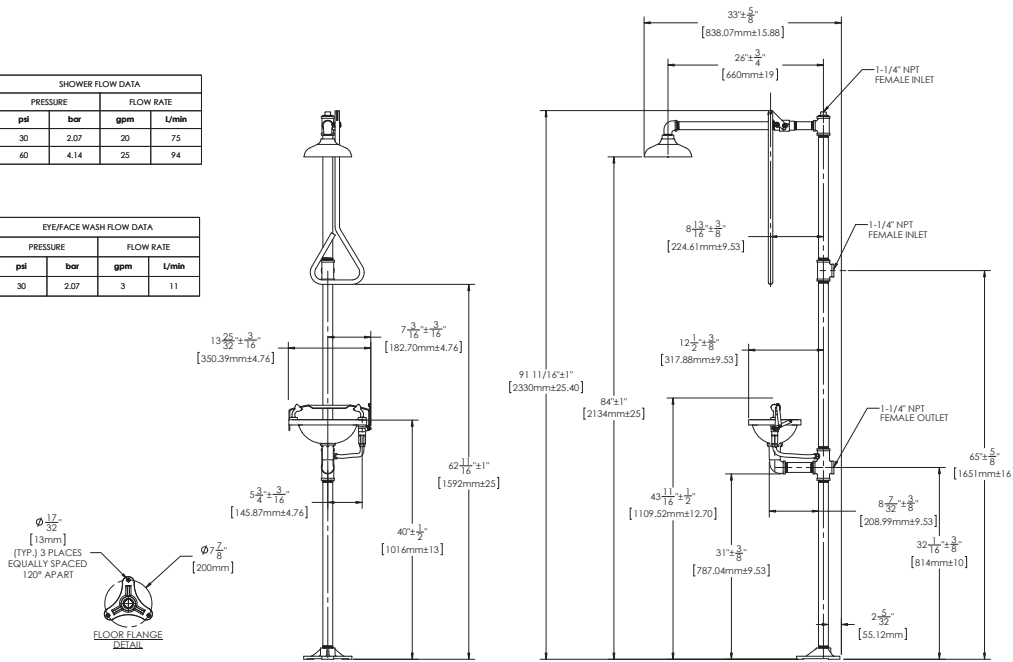
- 3 year limited



DIMENSIONS: NOTE: 1. All dimensions are in inches (millimeters) unless otherwise specified and are subject to change without notice. 2. All units meet existing ANSI/ISEA Z358.1 standards and OSHA rules. Product improvements may cause specification and dimensional changes without notice.

SHOWER FLOW DATA				
PRESSURE		FLOW RATE		
psi	bar	gpm	l/min	
30	2.07	20	75	
60	4.14	25	94	

EYEFACE WASH FLOW DATA				
PRESSURE		FLOW RATE		
psi	bar	gpm	l/min	
30	2.07	3	11	



SE-616-HFO-SCSV IS SUGGESTED REPLACEMENT FOR SE-610

