



## Traverse®

60" x 32 bath/shower with AIP backerboards  
71520128



### Features

- Tongue-and-groove modular design allows for easy installation during any phase of construction.
- Modern subway tile design.
- Full-length shelf provides generous storage.
- Easy-to-clean, durable high-gloss finish.

### Material

- Compression molded from our exclusive solid Vikrell® material.

### Installation

- Pro4™ installation system features a two-piece back wall design, enabling one-person handling and installation.
- Alcove.
- Caulk-free installation.
- Above-floor drain (AFD) rough-in.
- Right drain.

### Recommended Products/Accessories

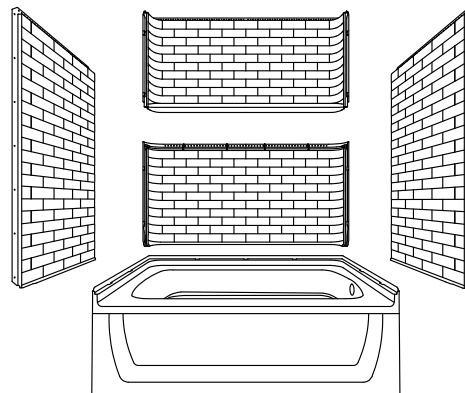
K-23726 Drain treatment

### Included Components

Product consists of:

71121122

71524106



### Codes/Standards

CSA B45.5/IAPMO Z124

ASTM E162

ASTM E662



HUD, UM Bulletin 73

### STERLING® Vikrell® or Acrylic Baths and Shower Bases Ten-Year Limited Warranty

See website for detailed warranty information.

### Available Colors/Finishes

*Color tiles intended for reference only.*

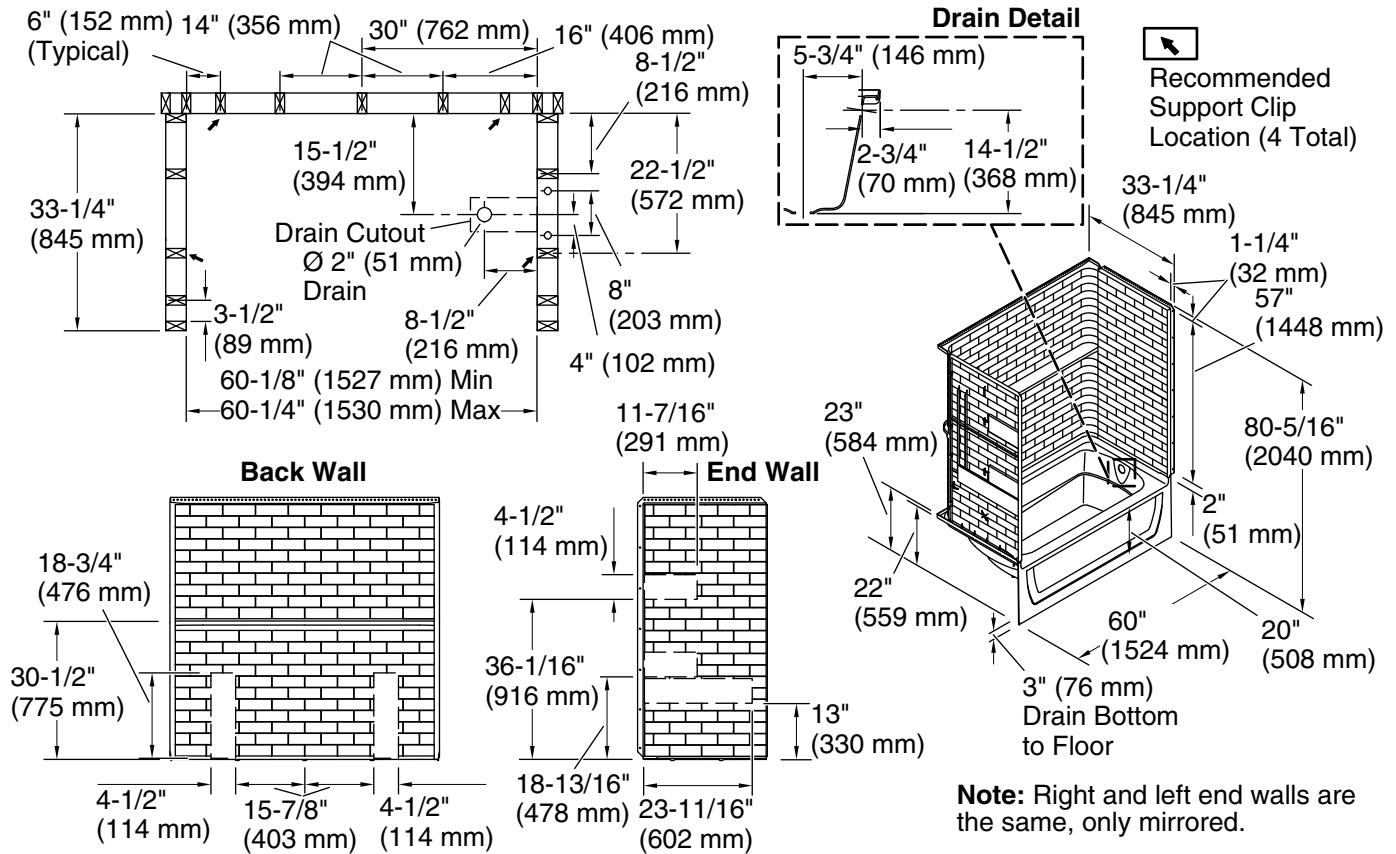
Color	Code	Description
	0	White
	96	KOHLER Biscuit

1-800-STERLING (1-800-783-7546)

Kohler Co. reserves the right to make revisions without notice to product specifications.

For the most current Specification Sheet, go to [www.sterlingplumbing.com](http://www.sterlingplumbing.com).

12-29-2021 10:38 - US/CA



**Technical Information**

All product dimensions are nominal.

Installation: Three-wall alcove  
 Maximum door height: 58-3/4" (1492 mm)  
 Maximum door width: 57-5/8" (1464 mm)

**Notes**

Install this product according to the installation instructions.  
 Studs should be positioned roughly as shown.  
 Double studding is recommended for pivot shower door installations.