



**Features**

- 48" Shower Module
- Made from solid Vikrell material for strength, durability, and lasting beauty.
- High-gloss finish provides a smooth, shiny surface that is easy to clean
- Extra deep, 36" shower can sit next to the most popular whirlpool sizes for a clean straight wall line
- Ample storage shelves are recessed leaving a more spacious feeling shower
- "Snap" together installation. An audible click lets you know when the walls are properly installed
- No caulk is required in the seams
- Install with 72281100 shower base.



**Recommended Products/Accessories**

- 695B-48 Framed Sliding Shower Door
- 1500D-48 Framed Pivot Shower Door
- 1505D-48 Framed Pivot Shower Door
- 1506D-48 Framed Pivot Shower Door
- 1530D-48 Framed Pivot Shower Door
- 1535D-48 Framed Pivot Shower Door
- 5375EZ-45 Frameless Sliding Shower Door
- 5475-48 Frameless Sliding Shower Door
- 5477-48 Frameless Sliding Shower Door
- 5970-48 Framed Sliding Shower Door
- 5975-48 Framed Sliding Shower Door
- 5976-48 Framed Sliding Shower Door
- 5977-48 Framed Sliding Shower Door
- 547808-48 Frameless Sliding Shower Door
- 572075-48 Framed Sliding Shower Door
- 581075-48 Frameless sliding shower door
- 80001012 12" Grab Bar
- 80001018 18" Grab Bar
- 80001024 24" Grab Bar
- 80011032 32" Grab Bar
- 80001036 36" Grab Bar
- 80012222 22" Grab Bar
- 72286104 Removable Shower Seat

**Codes/Standards**

- CSA B45.5/IAPMO Z124
- ASTM E162
- ASTM E662
- Greenguard UL 2818 - Gold

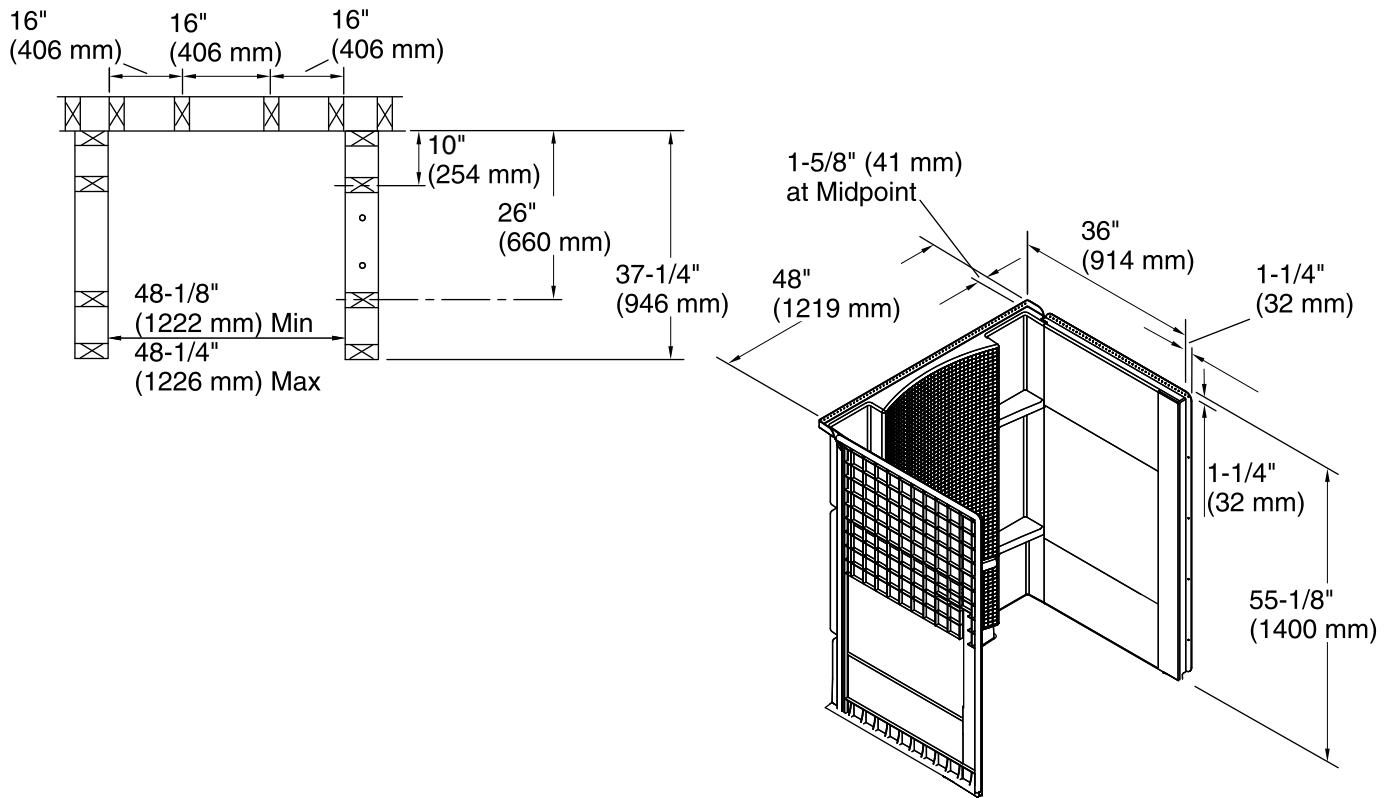
**Warranty – Bathing Fixtures (and) Kitchen and Utility Sinks Made of Solid Vikrell® Material**

See website for detailed warranty information.

**Available Colors/Finishes**

*Color tiles intended for reference only.*

Color	Code	Description
	0	White
	96	KOHLER Biscuit



**Technical Information**

All product dimensions are nominal.

- Installation: Three-wall alcove
- Maximum door height: 70-5/8" (1794 mm)
- Maximum door width: 44-5/8" (1133 mm)

**Notes**

- Install this product according to the installation instructions.
- Measure your actual product for roughing-in details.