



Sink Strainer 7466

Features

- Two-piece strainer and basket.
- Fits all Sterling kitchen sinks with a 1-1/4" to 2" drain holes.

Material

- Stainless Steel construction.

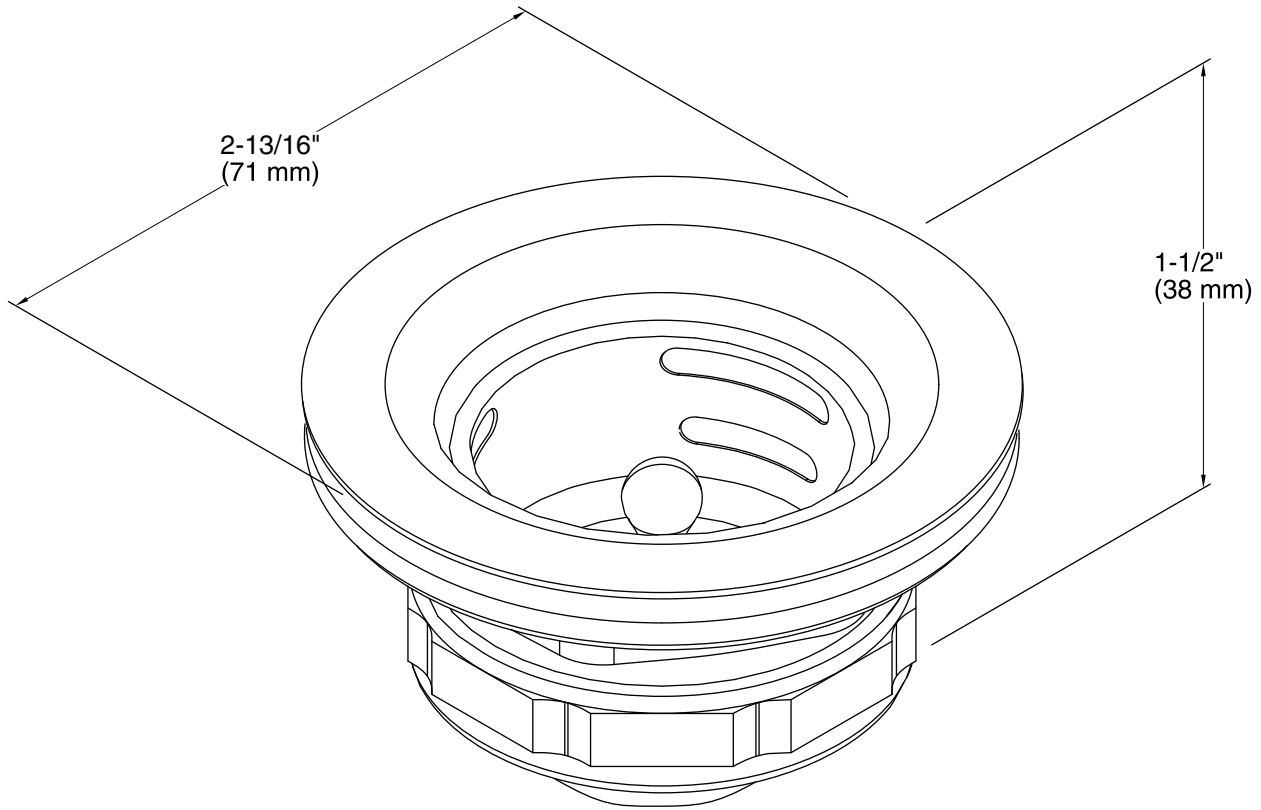


Codes/Standards

ASME A112.18.2/CSA B125.2

STERLING® Warranty - Stainless Steel Sinks

See website for detailed warranty information.



Technical Information

All product dimensions are nominal.