

FEATURES:

- All brass construction.
- Cross handle style with inside screw attachment.
- 3/4" valve bodies with 20 pt. 1/4-turn ceramic disc cartridge.
- Available in all finishes. Warranty varies according to finish.
- Certified to meet or exceed the following codes and standards:
ASME A112.18.1/CSA B125.1-2011

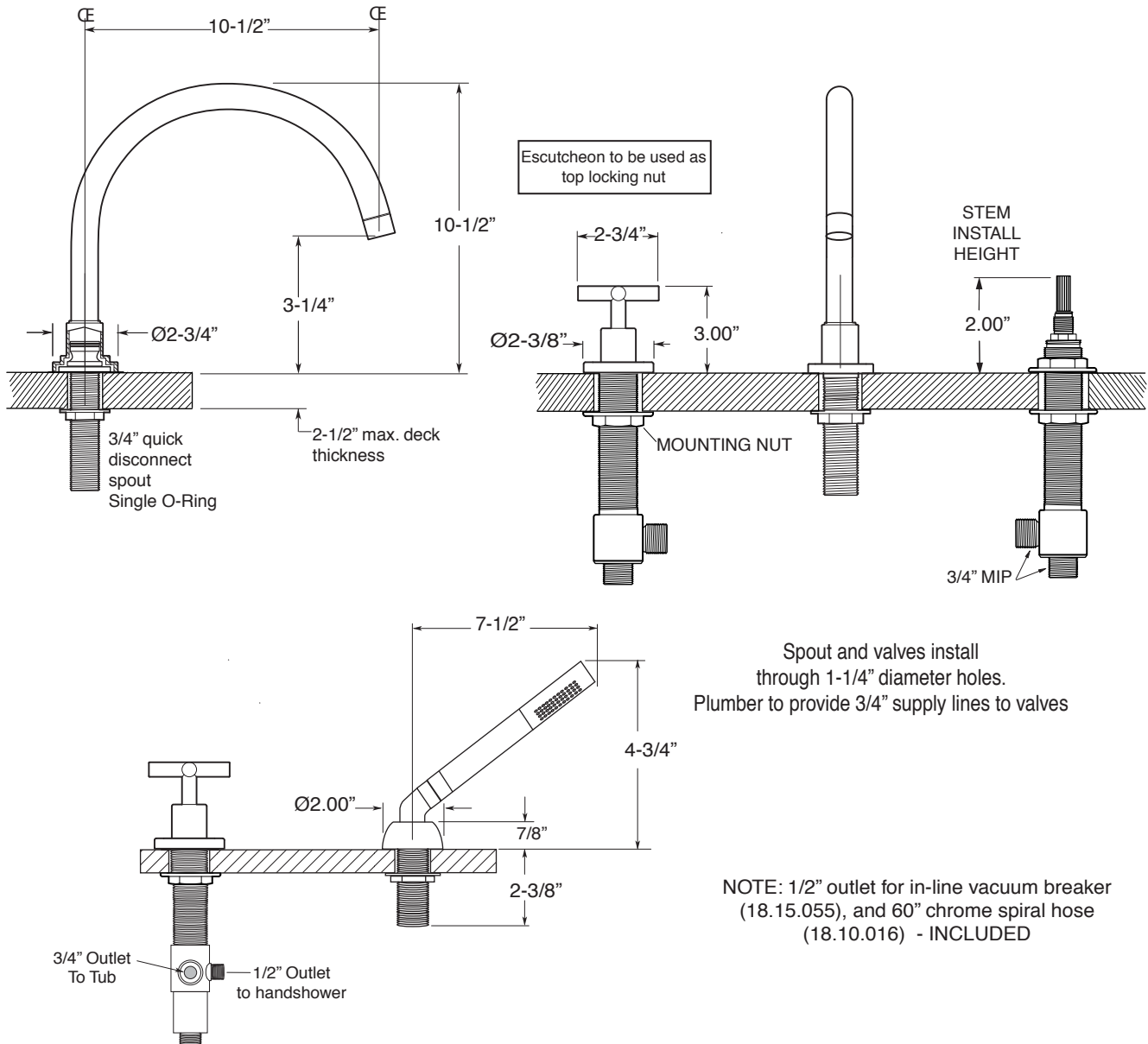
Series 3400

Nova II

Roman Tub Set with Deckmount Handshower and Diverter

1.344893

(1.344893T - Trim only)



Note: Measurements are subject to change or cancellation. No responsibility is assumed for use of superseded or voided pages.